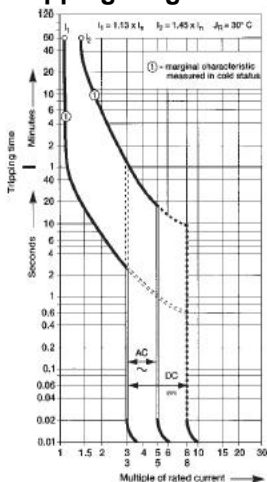


Miniature Circuit Breakers, SH 200 Series, Resin Type

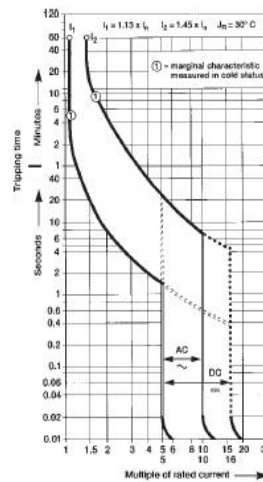
Compact Home

		SH 200 T	SH 200 L	SH 200
Mechanical Features	Toggle	SH 200 T SH 200 L SH 200 black sealable in On-Off position		
	Mechanical Life/Operations	20000		
	Protection Degree/Operations	Housing	IP4X	
		Terminals	IP2X	
	Mechanical Shock Resistance	30 g - 2 shocks - duration 11 ms		
	Resistance to Vibrations acc. to IEC 60060-2-6	5 g - 20 cycles at frequency 5...150...5 Hz with 0.8xIn		
	Tropicalization	Humid Heat	28 cycles with 55/95...100	
	According to IEC/EN 60068-2	Constant Climatic Conditions °C/RH	23/28 - 40/93 - 55/20	
		Variable Climatic Conditions	25/95 - 40/95	
	Reference Temperature for Setting of Thermal Element	°C	30	
	Ambient Temperature (with Daily Averages ≤ +35°C IEC)	°C	-25...+55	
	Storage Temperature	°C	-40...+70	
Electrical Features	Standards	IEC/EN 60898		
	Poles	1, 2, 3, 4, 1+NA, 3+NA		
	Rated Current, In	A	6-63	
	Rated Voltage, Ue	IEC, 1P, 1P+N	V	230
		IEC, 2P, 3P, 4P, 3P+N	V	230/400
	Insulation Voltage, Ui		V	250
	Maximum Operating Voltage, Ub Max	IEC AC	V	254/440
	Minimum Operating Voltage, Ub Min		V	12VAC - 12VDC
	Rated Frequency		Hz	50...60
	Rated Breaking Capacity	Ultimate Icn	A	3000 4500 6000
	Rated Impulse Withstand Voltage, Uimp		kV	4
	Dielectric Strength at Power Frequency for 1 Min		kV	2.5
	Overvoltage Category			III
	Pollution Degree			2
	Thermomagnetic Release Characteristic	B: 3 In ≤ Im ≤ 5 In C: 5 In ≤ Im ≤ 10 In	•	• •
Installation	Terminal Type		Cage Terminal	
	Terminal Size Top/Bottom for Cable	IEC	mm ²	25/25
		UL/CSA	AWG	18-4
	Tightening Torque	IEC	N*m	2.5
		UL/CSA	in-lbs.	22
	Tool		Nr. 2 Pozidriv	
	Mounting		On DIN Rail EN 60715 (35mm) by Means of fast Clip Device	
	Mounting Position		Optional	
	Connection		From Top and Bottom	
Dimensions and Weight	Pole Dimensions, H x D x W	mm	85 x 69 x 17.5	
	Pole Weight	g	125	

Tripping Diagrams



Tripping characteristic B
according to Din VDE 0641 part 11
In=6...63A
SH 200T/SH 200L/SH 200



Tripping characteristic C
according to Din VDE 0641 part 11
In=6...63A
SH 200T/SH 200L/SH 200

Miniature Circuit Breakers, SH 200 Series, Resin Type





SH 200 B Characteristic

Applications: Buildings, both residential and commercial;

Standard: IEC/EN 60898;

Function: Protection and control of the circuits against overloads and short-circuits, protection for resistive and inductive loads with low inrush current;

I_{cn}=6kA;

	Number of Poles	Rated Current, In	Type Code	Order Code	bbn 40 16779	Weight	Units/Pack	
	1	6	SH 201-B 6	2CDS 211 001 R 0065	63058 0	0.125	12/120	
		10	SH 201-B 10	2CDS 211 001 R 0105	63061 0	0.125	12/120	
		13	SH 201-B 13	2CDS 211 001 R 0135	63063 4	0.125	12/120	
		16	SH 201-B 16	2CDS 211 001 R 0165	63065 8	0.125	12/120	
		20	SH 201-B 20	2CDS 211 001 R 0205	63067 2	0.125	12/120	
		25	SH 201-B 25	2CDS 211 001 R 0255	63069 6	0.125	12/120	
		32	SH 201-B 32	2CDS 211 001 R 0325	63071 9	0.125	12/120	
		U _{Bmax} 440VAC	40	SH 201-B 40	2CDS 211 001 R 0405	63073 3	0.125	12/120
		60VDC	50	SH 201-B 50	2CDS 211 001 R 0505	63076 4	0.125	12/120
	63	SH 201-B 63	2CDS 211 001 R 0635	63078 6	0.125	12/120		
	2	6	SH 202-B 6	2CDS 212 001 R 0065	63104 4	0.250	6/60	
		10	SH 202-B 10	2CDS 212 001 R 0105	63107 5	0.250	6/60	
		13	SH 202-B 13	2CDS 212 001 R 0135	63109 9	0.250	6/60	
		16	SH 202-B 16	2CDS 212 001 R 0165	63111 2	0.250	6/60	
		20	SH 202-B 20	2CDS 212 001 R 0205	63113 6	0.250	6/60	
		25	SH 202-B 25	2CDS 212 001 R 0255	63115 0	0.250	6/60	
		32	SH 202-B 32	2CDS 212 001 R 0325	63117 4	0.250	6/60	
		U _{Bmax} 440VAC	40	SH 202-B 40	2CDS 212 001 R 0405	63119 8	0.250	6/60
		125VDC	50	SH 202-B 50	2CDS 212 001 R 0505	63120 6	0.250	6/60
	63	SH 202-B 63	2CDS 212 001 R 0635	63121 4	0.250	6/60		
	3	6	SH 203-B 6	2CDS 213 001 R 0065	63127 3	0.375	4/40	
		10	SH 203-B 10	2CDS 213 001 R 0105	63130 3	0.375	4/40	
		13	SH 203-B 13	2CDS 213 001 R 0135	63132 7	0.375	4/40	
		16	SH 203-B 16	2CDS 213 001 R 0165	63134 1	0.375	4/40	
		20	SH 203-B 20	2CDS 213 001 R 0205	63136 5	0.375	4/40	
		25	SH 203-B 25	2CDS 213 001 R 0255	63138 9	0.375	4/40	
		32	SH 203-B 32	2CDS 213 001 R 0325	63140 2	0.375	4/40	
		U _{Bmax} 440VAC	40	SH 203-B 40	2CDS 213 001 R 0405	63142 6	0.375	4/40
			50	SH 203-B 50	2CDS 213 001 R 0505	63144 0	0.375	4/40
	63	SH 203-B 63	2CDS 213 001 R 0635	63146 4	0.375	4/40		
	4	6	SH 204-B 6	2CDS 214 001 R 0065	63173 0	0.500	3/30	
		10	SH 204-B 10	2CDS 214 001 R 0105	63176 1	0.500	3/30	
		13	SH 204-B 13	2CDS 214 001 R 0135	63178 5	0.500	3/30	
		16	SH 204-B 16	2CDS 214 001 R 0165	63180 8	0.500	3/30	
		20	SH 204-B 20	2CDS 214 001 R 0205	63182 2	0.500	3/30	
		25	SH 204-B 25	2CDS 214 001 R 0255	63184 6	0.500	3/30	
		32	SH 204-B 32	2CDS 214 001 R 0325	63186 0	0.500	3/30	
		U _{Bmax} 440VAC	40	SH 204-B 40	2CDS 214 001 R 0405	63188 4	0.500	3/30
			50	SH 204-B 50	2CDS 214 001 R 0505	63190 2	0.500	3/30
	63	SH 204-B 63	2CDS 214 001 R 0635	63192 6	0.500	3/30		

Miniature Circuit Breakers, SH 200 Series, Resin Type





SH 200 C Characteristic

Applications: Buildings, both residential and commercial;

Standard: IEC/EN 60898;

Function: Protection and control of the circuits against overloads and short-circuits, protection for resistive and inductive loads with low inrush current;

I_{cn}=6kA;

	Number of Poles	Rated Current, In	Type Code	Order Code	bbn 40 16779	Weight	Units/Pack
	1	6	SH 201-C 6	2CDS 211 001 R 0064	63057 3	0.125	12/120
		10	SH 201-C 10	2CDS 211 001 R 0104	63060 3	0.125	12/120
		13	SH 201-C 13	2CDS 211 001 R 0134	63062 7	0.125	12/120
		16	SH 201-C 16	2CDS 211 001 R 0164	63064 1	0.125	12/120
		20	SH 201-C 20	2CDS 211 001 R 0204	63066 5	0.125	12/120
		25	SH 201-C 25	2CDS 211 001 R 0254	63068 9	0.125	12/120
		32	SH 201-C 32	2CDS 211 001 R 0324	63070 2	0.125	12/120
		U _{Bmax} 40	SH 201-C 40	2CDS 211 001 R 0404	63072 6	0.125	12/120
		440VAC 50	SH 201-C 50	2CDS 211 001 R 0504	63075 0	0.125	12/120
		60VDC 63	SH 201-C 63	2CDS 211 001 R 0634	63077 4	0.125	12/120
	2	6	SH 202-C 6	2CDS 212 001 R 0064	63103 7	0.250	6/60
		10	SH 202-C 10	2CDS 212 001 R 0104	63106 8	0.250	6/60
		13	SH 202-C 13	2CDS 212 001 R 0134	63108 2	0.250	6/60
		16	SH 202-C 16	2CDS 212 001 R 0164	63110 5	0.250	6/60
		20	SH 202-C 20	2CDS 212 001 R 0204	63112 9	0.250	6/60
		25	SH 202-C 25	2CDS 212 001 R 0254	63114 3	0.250	6/60
		32	SH 202-C 32	2CDS 212 001 R 0324	63116 7	0.250	6/60
		U _{Bmax} 40	SH 202-C 40	2CDS 212 001 R 0404	63118 1	0.250	6/60
		440VAC 50	SH 202-C 50	2CDS 212 001 R 0504	63119 5	0.250	6/60
		125VDC 63	SH 202-C 63	2CDS 212 001 R 0634	63120 9	0.250	6/60
	3	6	SH 203-C 6	2CDS 213 001 R 0064	63057 3	0.375	4/40
		10	SH 203-C 10	2CDS 213 001 R 0104	63060 3	0.375	4/40
		13	SH 203-C 13	2CDS 213 001 R 0134	63062 7	0.375	4/40
		16	SH 203-C 16	2CDS 213 001 R 0164	63064 1	0.375	4/40
		20	SH 203-C 20	2CDS 213 001 R 0204	63066 5	0.375	4/40
		25	SH 203-C 25	2CDS 213 001 R 0254	63068 9	0.375	4/40
		32	SH 203-C 32	2CDS 213 001 R 0324	63070 2	0.375	4/40
		40	SH 203-C 40	2CDS 213 001 R 0404	63072 6	0.375	4/40
		U _{Bmax} 50	SH 203-C 50	2CDS 213 001 R 0504	63075 0	0.375	4/40
		440VAC 63	SH 203-C 63	2CDS 213 001 R 0634	63077 4	0.375	4/40
	4	6	SH 204-C 6	2CDS 214 001 R 0064	63057 3	0.500	3/30
		10	SH 204-C 10	2CDS 214 001 R 0104	63060 3	0.500	3/30
		13	SH 204-C 13	2CDS 214 001 R 0134	63062 7	0.500	3/30
		16	SH 204-C 16	2CDS 214 001 R 0164	63064 1	0.500	3/30
		20	SH 204-C 20	2CDS 214 001 R 0204	63066 5	0.500	3/30
		25	SH 204-C 25	2CDS 214 001 R 0254	63068 9	0.500	3/30
		32	SH 204-C 32	2CDS 214 001 R 0324	63070 2	0.500	3/30
		U _{Bmax} 40	SH 204-C 40	2CDS 214 001 R 0404	63072 6	0.500	3/30
		440VAC 50	SH 204-C 50	2CDS 214 001 R 0504	63075 0	0.500	3/30
		125VDC 63	SH 204-C 63	2CDS 214 001 R 0634	63077 4	0.500	3/30