

TeSys F, 3-Pole Contactors

- TeSys F offers every high performance in AC3 and AC1 applications

-AC 3 range: For motor applications up to 450kW/400V, Control of all types of motors in normal or severe service conditions

-AC 1 range: For resistive applications up to 2100A/AC1 like Wind Turbines, UPS panels, Light Distribution Circuits etc

- Combined with LR9 electronic relay or GV7 motor circuit breakers, AC3 contactors are the ideal motor starters, offering quick simple selection as well as shared accessories for greater flexibility

- TeSys F contactors guarantee electrical coordination with fuses and Masterpact NW circuit breaker offers

Technical Data



LC1F185



LC1F400



LC1F630

Basic reference, to be completed by adding voltage code

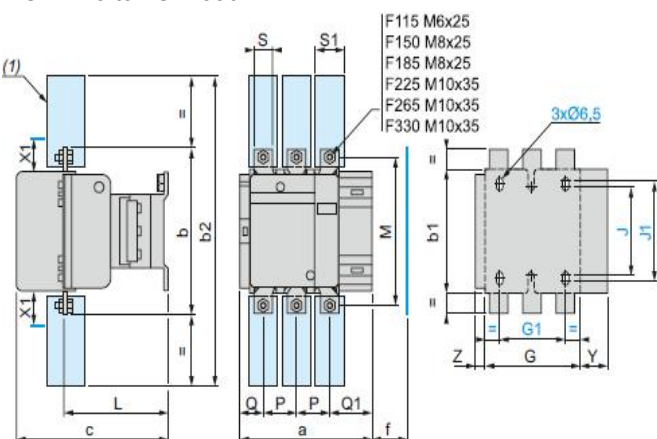
Rated Operational Current in AC-3, 440V up to	220/230V	380/400V	415V	440V	500V	660/690V	1000V
LC1F115●●	115	30	55	59	59	75	65
LC1F150●●	150	40	75	80	80	90	65
LC1F185●●	185	55	90	100	100	110	185
LC1F225●●	225	63	110	110	110	129	100
LC1F265●●	265	75	132	140	140	160	147
LC1F330●●	330	100	160	180	200	200	160
LC1F400●●	400	110	200	220	250	257	185
LC1F500●●	500	147	250	280	295	355	335
LC1F630●●	630	200	335	375	400	400	450
LC1F780●●	780	220	400	425	425	450	450
LC1F800●●	800	250	450	450	450	450	450

Voltage Codes

Volts, AC	24	48	120	220	240	380	415
LC1F115...F225							
50Hz, Coil LX1	B5	E5	-	M5	P5	Q5	N5
60Hz, Coil LX1	-	E6	G6	M6	-	Q6	-
LC1F265...F330							
40...400Hz, Coil LX1	B7	E7	G7	M7	P7	Q7	N7
LC1F400...F630							
40...400Hz, Coil LX1	-	E7	G7	M7	P7	Q7	N7
LC1F780							
40...400Hz, Coil LX1	-	-	F7	M7	P7	Q7	N7
LC1F800							
40...400Hz, Coil LX4	-	-	FW	MW	MW	QW	QW

Dimensions, mm

LC1F115 to LC1F330



LC1F400 to LC1F500

