

GMC(D) Magnetic Contactors, Meta-Mec Type

Descriptions: Meta-mec contactors are designed to show superior technology, sealed structure has improved its safety features so that no arc flash is exposed, in order to emphasize its durability as an individual device, Metamec series adopt simple design form and sophisticated shape applying diamond cut concepts on product surface.

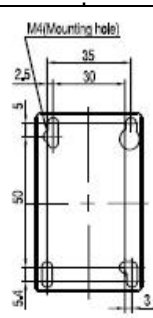
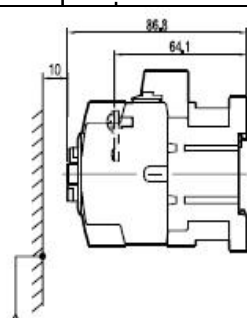
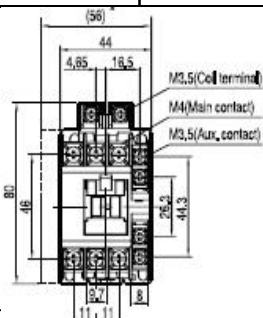
Selection Table of GMC(D) Magnetic Contactors, Meta-Mec Type

Frame size																
Type: GMC(D)-		9	12	18	22	32	40	50	65	75	85	100	125	150		
Number of poles		3-pole														
Rated operational voltage, Ue		690V														
Rated insulation voltage, Ui		690V														
Rated impulse withstand voltage, Umip		6kV														
Rated frequency		50/60Hz														
Max operating rating operating cycles		1800 operations per hour										1200 operations per hour				
Durability	Mechanical	15 million operations										12 million operations				
	Electrical	2.5 million operation										2 million operations				
Current and power	AC-1, Thermal current	A	25	25	40	40	50	60	80	100	110	135	150	150	200	
		kW	2.5	3.5	4.5	5.5	7.5	11	15	19	22	25	30	37	45	
	200/240	A	11	13	18	22	32	40	55	65	75	85	105	125	150	
		kW	4	5.5	7.5	11	15	19	22	30	37	45	55	60	75	
	380/440	A	9	12	18	22	32	40	50	65	75	85	105	120	150	
		kW	4	7.5	7.5	15	19	22	30	33	37	45	55	60	90	
	500/550	A	7	12	13	22	28	32	43	60	64	75	85	90	140	
		kW	4	7.5	7.5	15	19	22	30	33	37	45	55	60	90	
	690	A	5	9	9	18	20	23	28	35	42	45	65	70	100	
		kW	5	9	9	18	20	23	28	35	42	45	65	70	100	
UL ratings, 50/60Hz	Continuous current	A	20	25	30	32	45	50	70	80	90	100	160	160	210	
		HP	0.5	0.5	1	2	2	3	3	5	5	7.5	7.5	10	15	
	Single phase	110-120	HP	1	2	3	3	5	5	7.5	10	15	15	20	25	
		220-240	HP	2	3	5	7	7.5	10	10	15	20	25	30	40	40
	Three phase	220-240	HP	2	3	5	7.5	10	10	15	20	25	30	30	40	50
		440-480	HP	5	7.5	10	10	20	25	30	40	50	50	60	75	100
500-600	HP	7.5	10	15	15	20	25	30	40	50	50	60	75	100		
	NEMA size		00	00	0	0	1	1	2	2	2	3	3	3	4	
Size & weight	Weight	kg	0.33	0.37	0.45	1.00	2.90	3.40								
	Size, WxHxD	mm	56x80x113	68x82x121	94x124x117	100x130x146										
Auxiliary	Standard		1a or 1b	2a2b	2a2b	2a2b										
	Side mount		AU-1, AU-100													
	Front mount		AU-2, AU-4													

Selection Table of GT Thermal Overload Relays, Meta-Mec Type

Type		GT-22		GT-40		GT-85		GT-100		GT-150	
Screw clamp terminals		•		•		•		•		•	
Rated operational voltage, Ue		690V									
Rated insulation voltage, Ui		690V									
Rated impulse withstand voltage, Umip		6kV									
Trip class		10A, 20									
Setting range		0.63-4A		4-43A		7-36A		34-150A			
Size & weight	Weight	kg		0.1		0.21		0.31		0.48	
	Size, WxHxD	mm		45x73.2x63.7		45x75x80		45x75x90		70x97x110	

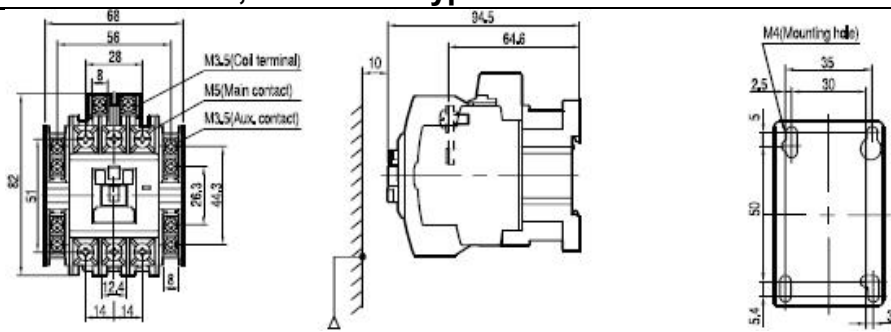
Dimensions, mm



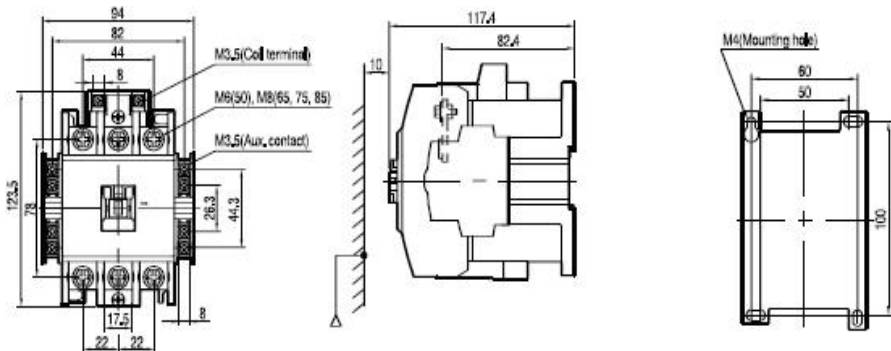
GMC-9 to GMC-22

GMC(D) Magnetic Contactors, Meta-Mec Type

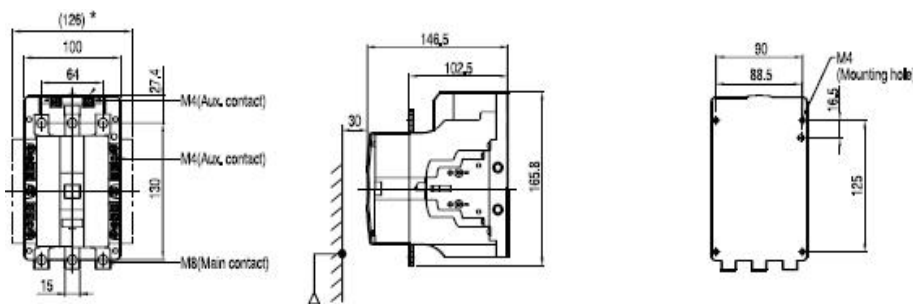
Dimensions, mm



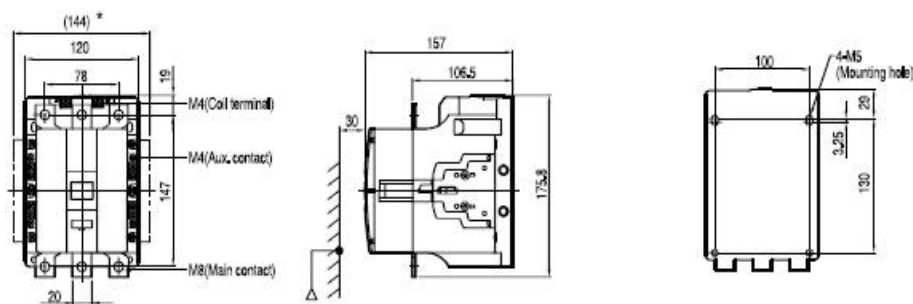
GMC-22 and GMC-40



GMC-50 to GMC-85



GMC-110 and GMC-125



GMC-150