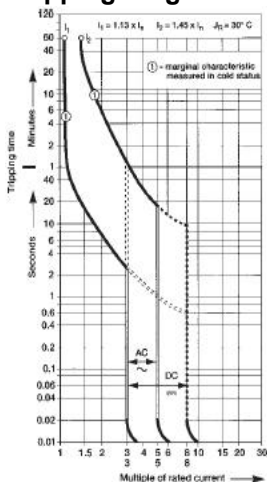


Miniature Circuit Breakers, SH 200 Series, Resin Type

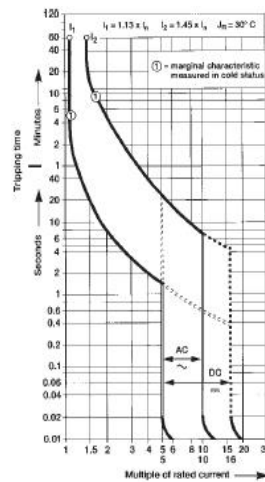
Compact Home

		SH 200 T	SH 200 L	SH 200
Mechanical Features	Toggle	black sealable in On-Off position		
	Mechanical Life/Operations	20000		
	Protection Degree/Operations	Housing	IP4X	
		Terminals	IP2X	
	Mechanical Shock Resistance	30 g - 2 shocks - duration 11 ms		
	Resistance to Vibrations acc. to IEC 60060-2-6	5 g - 20 cycles at frequency 5...150...5 Hz with 0.8xIn		
	Tropicalization	Humid Heat	28 cycles with 55/95...100	
	According to IEC/EN 60068-2	Constant Climatic Conditions °C/RH	23/28 - 40/93 - 55/20	
		Variable Climatic Conditions	25/95 - 40/95	
	Reference Temperature for Setting of Thermal Element	°C	30	
	Ambient Temperature (with Daily Averages ≤ +35°C IEC)	°C	-25...+55	
	Storage Temperature	°C	-40...+70	
Electrical Features	Standards	IEC/EN 60898		
	Poles	1, 2, 3, 4, 1+NA, 3+NA		
	Rated Current, In	A	6-63	
	Rated Voltage, Ue	IEC, 1P, 1P+N	V	230
		IEC, 2P, 3P, 4P, 3P+N	V	230/400
	Insulation Voltage, Ui		V	250
	Maximum Operating Voltage, Ub Max	IEC AC	V	254/440
	Minimum Operating Voltage, Ub Min		V	12VAC - 12VDC
	Rated Frequency		Hz	50...60
	Rated Breaking Capacity	Ultimate Icn	A	3000 4500 6000
	Rated Impulse Withstand Voltage, Uimp		kV	4
	Dielectric Strength at Power Frequency for 1 Min		kV	2.5
	Overvoltage Category			III
	Pollution Degree			2
	Thermomagnetic Release Characteristic	B: 3 In ≤ Im ≤ 5 In	•	•
		C: 5 In ≤ Im ≤ 10 In	•	•
Installation	Terminal Type		Cage Terminal	
	Terminal Size Top/Bottom for Cable	IEC	mm ²	25/25
		UL/CSA	AWG	18-4
	Tightening Torque	IEC	N*m	2.5
		UL/CSA	in-lbs.	22
	Tool			Nr. 2 Pozidriv
	Mounting			On DIN Rail EN 60715 (35mm) by Means of fast Clip Device
	Mounting Position			Optional
	Connection			From Top and Bottom
Dimensions and Weight	Pole Dimensions, H x D x W	mm	85 x 69 x 17.5	
	Pole Weight	g	125	

Tripping Diagrams



Tripping characteristic B
according to Din VDE 0641 part 11
In=6...63A
SH 200T/SH 200L/SH 200



Tripping characteristic C
according to Din VDE 0641 part 11
In=6...63A
SH 200T/SH 200L/SH 200

Miniature Circuit Breakers, SH 200 Series, Resin Type





SH 200 B Characteristic

Applications: Buildings, both residential and commercial;

Standard: IEC/EN 60898;

Function: Protection and control of the circuits against overloads and short-circuits, protection for resistive and inductive loads with low inrush current;

I_{cn}=6kA;

	Number of Poles	Rated Current, In	Type Code	Order Code	bbn 40 16779	Weight	Units/Pack	
	1	6	SH 201-B 6	2CDS 211 001 R 0065	63058 0	0.125	12/120	
		10	SH 201-B 10	2CDS 211 001 R 0105	63061 0	0.125	12/120	
		13	SH 201-B 13	2CDS 211 001 R 0135	63063 4	0.125	12/120	
		16	SH 201-B 16	2CDS 211 001 R 0165	63065 8	0.125	12/120	
		20	SH 201-B 20	2CDS 211 001 R 0205	63067 2	0.125	12/120	
		25	SH 201-B 25	2CDS 211 001 R 0255	63069 6	0.125	12/120	
		32	SH 201-B 32	2CDS 211 001 R 0325	63071 9	0.125	12/120	
		U _{Bmax} 440VAC	40	SH 201-B 40	2CDS 211 001 R 0405	63073 3	0.125	12/120
		60VDC	50	SH 201-B 50	2CDS 211 001 R 0505	63076 4	0.125	12/120
	63	SH 201-B 63	2CDS 211 001 R 0635	63078 6	0.125	12/120		
	2	6	SH 202-B 6	2CDS 212 001 R 0065	63104 4	0.250	6/60	
		10	SH 202-B 10	2CDS 212 001 R 0105	63107 5	0.250	6/60	
		13	SH 202-B 13	2CDS 212 001 R 0135	63109 9	0.250	6/60	
		16	SH 202-B 16	2CDS 212 001 R 0165	63111 2	0.250	6/60	
		20	SH 202-B 20	2CDS 212 001 R 0205	63113 6	0.250	6/60	
		25	SH 202-B 25	2CDS 212 001 R 0255	63115 0	0.250	6/60	
		32	SH 202-B 32	2CDS 212 001 R 0325	63117 4	0.250	6/60	
		U _{Bmax} 440VAC	40	SH 202-B 40	2CDS 212 001 R 0405	63119 8	0.250	6/60
		125VDC	50	SH 202-B 50	2CDS 212 001 R 0505	63120 6	0.250	6/60
	63	SH 202-B 63	2CDS 212 001 R 0635	63121 4	0.250	6/60		
	3	6	SH 203-B 6	2CDS 213 001 R 0065	63127 3	0.375	4/40	
		10	SH 203-B 10	2CDS 213 001 R 0105	63130 3	0.375	4/40	
		13	SH 203-B 13	2CDS 213 001 R 0135	63132 7	0.375	4/40	
		16	SH 203-B 16	2CDS 213 001 R 0165	63134 1	0.375	4/40	
		20	SH 203-B 20	2CDS 213 001 R 0205	63136 5	0.375	4/40	
		25	SH 203-B 25	2CDS 213 001 R 0255	63138 9	0.375	4/40	
		32	SH 203-B 32	2CDS 213 001 R 0325	63140 2	0.375	4/40	
		U _{Bmax} 440VAC	40	SH 203-B 40	2CDS 213 001 R 0405	63142 6	0.375	4/40
			50	SH 203-B 50	2CDS 213 001 R 0505	63144 0	0.375	4/40
	63	SH 203-B 63	2CDS 213 001 R 0635	63146 4	0.375	4/40		
	4	6	SH 204-B 6	2CDS 214 001 R 0065	63173 0	0.500	3/30	
		10	SH 204-B 10	2CDS 214 001 R 0105	63176 1	0.500	3/30	
		13	SH 204-B 13	2CDS 214 001 R 0135	63178 5	0.500	3/30	
		16	SH 204-B 16	2CDS 214 001 R 0165	63180 8	0.500	3/30	
		20	SH 204-B 20	2CDS 214 001 R 0205	63182 2	0.500	3/30	
		25	SH 204-B 25	2CDS 214 001 R 0255	63184 6	0.500	3/30	
		32	SH 204-B 32	2CDS 214 001 R 0325	63186 0	0.500	3/30	
		U _{Bmax} 440VAC	40	SH 204-B 40	2CDS 214 001 R 0405	63188 4	0.500	3/30
			50	SH 204-B 50	2CDS 214 001 R 0505	63190 2	0.500	3/30
	63	SH 204-B 63	2CDS 214 001 R 0635	63192 6	0.500	3/30		

Miniature Circuit Breakers, SH 200 Series, Resin Type





SH 200 C Characteristic

Applications: Buildings, both residential and commercial;

Standard: IEC/EN 60898;

Function: Protection and control of the circuits against overloads and short-circuits, protection for resistive and inductive loads with low inrush current;

I_{cn}=6kA;

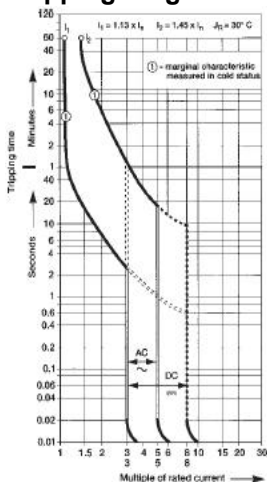
	Number of Poles	Rated Current, In	Type Code	Order Code	bbn 40 16779	Weight	Units/Pack	
	1	6	SH 201-C 6	2CDS 211 001 R 0064	63057 3	0.125	12/120	
		10	SH 201-C 10	2CDS 211 001 R 0104	63060 3	0.125	12/120	
		13	SH 201-C 13	2CDS 211 001 R 0134	63062 7	0.125	12/120	
		16	SH 201-C 16	2CDS 211 001 R 0164	63064 1	0.125	12/120	
		20	SH 201-C 20	2CDS 211 001 R 0204	63066 5	0.125	12/120	
		25	SH 201-C 25	2CDS 211 001 R 0254	63068 9	0.125	12/120	
		32	SH 201-C 32	2CDS 211 001 R 0324	63070 2	0.125	12/120	
		U _{Bmax} 440VAC	40	SH 201-C 40	2CDS 211 001 R 0404	63072 6	0.125	12/120
		60VDC	50	SH 201-C 50	2CDS 211 001 R 0504	63075 0	0.125	12/120
			63	SH 201-C 63	2CDS 211 001 R 0634	63077 4	0.125	12/120
	2	6	SH 202-C 6	2CDS 212 001 R 0064	63103 7	0.250	6/60	
		10	SH 202-C 10	2CDS 212 001 R 0104	63106 8	0.250	6/60	
		13	SH 202-C 13	2CDS 212 001 R 0134	63108 2	0.250	6/60	
		16	SH 202-C 16	2CDS 212 001 R 0164	63110 5	0.250	6/60	
		20	SH 202-C 20	2CDS 212 001 R 0204	63112 9	0.250	6/60	
		25	SH 202-C 25	2CDS 212 001 R 0254	63114 3	0.250	6/60	
		32	SH 202-C 32	2CDS 212 001 R 0324	63116 7	0.250	6/60	
		U _{Bmax} 440VAC	40	SH 202-C 40	2CDS 212 001 R 0404	63118 1	0.250	6/60
		125VDC	50	SH 202-C 50	2CDS 212 001 R 0504	63119 5	0.250	6/60
			63	SH 202-C 63	2CDS 212 001 R 0634	63120 9	0.250	6/60
	3	6	SH 203-C 6	2CDS 213 001 R 0064	63057 3	0.375	4/40	
		10	SH 203-C 10	2CDS 213 001 R 0104	63060 3	0.375	4/40	
		13	SH 203-C 13	2CDS 213 001 R 0134	63062 7	0.375	4/40	
		16	SH 203-C 16	2CDS 213 001 R 0164	63064 1	0.375	4/40	
		20	SH 203-C 20	2CDS 213 001 R 0204	63066 5	0.375	4/40	
		25	SH 203-C 25	2CDS 213 001 R 0254	63068 9	0.375	4/40	
		32	SH 203-C 32	2CDS 213 001 R 0324	63070 2	0.375	4/40	
		40	SH 203-C 40	2CDS 213 001 R 0404	63072 6	0.375	4/40	
		U _{Bmax} 440VAC	50	SH 203-C 50	2CDS 213 001 R 0504	63075 0	0.375	4/40
			63	SH 203-C 63	2CDS 213 001 R 0634	63077 4	0.375	4/40
	4	6	SH 204-C 6	2CDS 214 001 R 0064	63057 3	0.500	3/30	
		10	SH 204-C 10	2CDS 214 001 R 0104	63060 3	0.500	3/30	
		13	SH 204-C 13	2CDS 214 001 R 0134	63062 7	0.500	3/30	
		16	SH 204-C 16	2CDS 214 001 R 0164	63064 1	0.500	3/30	
		20	SH 204-C 20	2CDS 214 001 R 0204	63066 5	0.500	3/30	
		25	SH 204-C 25	2CDS 214 001 R 0254	63068 9	0.500	3/30	
		32	SH 204-C 32	2CDS 214 001 R 0324	63070 2	0.500	3/30	
		40	SH 204-C 40	2CDS 214 001 R 0404	63072 6	0.500	3/30	
		U _{Bmax} 440VAC	50	SH 204-C 50	2CDS 214 001 R 0504	63075 0	0.500	3/30
		125VDC	63	SH 204-C 63	2CDS 214 001 R 0634	63077 4	0.500	3/30

Miniature Circuit Breakers, SH 200 Series, Nylon Type

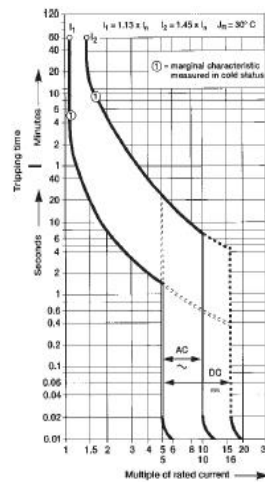
Compact Home

		SH 200 T	SH 200 L	SH 200
Mechanical Features	Toggle	SH 200 T SH 200 L SH 200 black sealable in On-Off position		
	Mechanical Life/Operations	20000		
	Protection Degree/Operations	Housing	IP4X	
		Terminals	IP2X	
	Mechanical Shock Resistance	30 g - 2 shocks - duration 11 ms		
	Resistance to Vibrations acc. to IEC 60060-2-6	5 g - 20 cycles at frequency 5...150...5 Hz with 0.8xIn		
	Tropicalization	Humid Heat	28 cycles with 55/95...100	
	According to IEC/EN 60068-2	Constant Climatic Conditions °C/RH	23/28 - 40/93 - 55/20	
		Variable Climatic Conditions	25/95 - 40/95	
	Reference Temperature for Setting of Thermal Element	°C	30	
	Ambient Temperature (with Daily Averages ≤ +35°C IEC)	°C	-25...+55	
	Storage Temperature	°C	-40...+70	
Electrical Features	Standards	IEC/EN 60898		
	Poles	1, 2, 3, 4, 1+NA, 3+NA		
	Rated Current, In	A	6-63	
	Rated Voltage, Ue	IEC, 1P, 1P+N	V	230
		IEC, 2P, 3P, 4P, 3P+N	V	230/400
	Insulation Voltage, Ui	V	250	
	Maximum Operating Voltage, Ub Max	IEC AC	V	254/440
	Minimum Operating Voltage, Ub Min	V	12VAC - 12VDC	
	Rated Frequency	Hz	50...60	
	Rated Breaking Capacity	Ultimate Icn	A	3000 4500 6000
	Rated Impulse Withstand Voltage, Uimp	kV	4	
	Dielectric Strength at Power Frequency for 1 Min	kV	2.5	
	Overvoltage Category		III	
	Pollution Degree		2	
	Thermomagnetic Release Characteristic	B: 3 In ≤ Im ≤ 5 In C: 5 In ≤ Im ≤ 10 In	•	•
			•	•
Installation	Terminal Type		Cage Terminal	
	Terminal Size Top/Bottom for Cable	IEC	mm ²	25/25
		UL/CSA	AWG	18-4
	Tightening Torque	IEC	N*m	2.5
		UL/CSA	in-lbs.	22
	Tool		Nr. 2 Pozidriv	
	Mounting		On DIN Rail EN 60715 (35mm) by Means of fast Clip Device	
	Mounting Position		Optional	
	Connection		From Top and Bottom	
Dimensions and Weight	Pole Dimensions, H x D x W	mm	85 x 69 x 17.5	
	Pole Weight	g	125	

Tripping Diagrams



Tripping characteristic B
according to Din VDE 0641 part 11
In=6...63A
SH 200T/SH 200L/SH 200



Tripping characteristic C
according to Din VDE 0641 part 11
In=6...63A
SH 200T/SH 200L/SH 200

Miniature Circuit Breakers, SH 200 Series, Nylon Type





SH 200 B Characteristic

Applications: Buildings, both residential and commercial;

Standard: IEC/EN 60898;

Function: Protection and control of the circuits against overloads and short-circuits, protection for resistive and inductive loads with low inrush current;

I_{cn}=6kA;

	Number of Poles	Rated Current, In	Type Code	Order Code	bbn 40 16779	Weight	Units/Pack	
	1	6	SH 201-B 6	2CDS 211 001 R 0065	63058 0	0.115	12/120	
		10	SH 201-B 10	2CDS 211 001 R 0105	63061 0	0.115	12/120	
		13	SH 201-B 13	2CDS 211 001 R 0135	63063 4	0.115	12/120	
		16	SH 201-B 16	2CDS 211 001 R 0165	63065 8	0.115	12/120	
		20	SH 201-B 20	2CDS 211 001 R 0205	63067 2	0.115	12/120	
		25	SH 201-B 25	2CDS 211 001 R 0255	63069 6	0.115	12/120	
		32	SH 201-B 32	2CDS 211 001 R 0325	63071 9	0.115	12/120	
		U _{Bmax} 440VAC	40	SH 201-B 40	2CDS 211 001 R 0405	63073 3	0.115	12/120
		60VDC	50	SH 201-B 50	2CDS 211 001 R 0505	63076 4	0.115	12/120
	63	SH 201-B 63	2CDS 211 001 R 0635	63078 6	0.115	12/120		
	2	6	SH 202-B 6	2CDS 212 001 R 0065	63104 4	0.230	6/60	
		10	SH 202-B 10	2CDS 212 001 R 0105	63107 5	0.230	6/60	
		13	SH 202-B 13	2CDS 212 001 R 0135	63109 9	0.230	6/60	
		16	SH 202-B 16	2CDS 212 001 R 0165	63111 2	0.230	6/60	
		20	SH 202-B 20	2CDS 212 001 R 0205	63113 6	0.230	6/60	
		25	SH 202-B 25	2CDS 212 001 R 0255	63115 0	0.230	6/60	
		32	SH 202-B 32	2CDS 212 001 R 0325	63117 4	0.230	6/60	
		U _{Bmax} 440VAC	40	SH 202-B 40	2CDS 212 001 R 0405	63119 8	0.230	6/60
		125VDC	50	SH 202-B 50	2CDS 212 001 R 0505	63120 6	0.230	6/60
	63	SH 202-B 63	2CDS 212 001 R 0635	63121 4	0.230	6/60		
	3	6	SH 203-B 6	2CDS 213 001 R 0065	63127 3	0.345	4/40	
		10	SH 203-B 10	2CDS 213 001 R 0105	63130 3	0.345	4/40	
		13	SH 203-B 13	2CDS 213 001 R 0135	63132 7	0.345	4/40	
		16	SH 203-B 16	2CDS 213 001 R 0165	63134 1	0.345	4/40	
		20	SH 203-B 20	2CDS 213 001 R 0205	63136 5	0.345	4/40	
		25	SH 203-B 25	2CDS 213 001 R 0255	63138 9	0.345	4/40	
		32	SH 203-B 32	2CDS 213 001 R 0325	63140 2	0.345	4/40	
		U _{Bmax} 440VAC	40	SH 203-B 40	2CDS 213 001 R 0405	63142 6	0.345	4/40
			50	SH 203-B 50	2CDS 213 001 R 0505	63144 0	0.345	4/40
	63	SH 203-B 63	2CDS 213 001 R 0635	63146 4	0.345	4/40		
	4	6	SH 204-B 6	2CDS 214 001 R 0065	63173 0	0.460	3/30	
		10	SH 204-B 10	2CDS 214 001 R 0105	63176 1	0.460	3/30	
		13	SH 204-B 13	2CDS 214 001 R 0135	63178 5	0.460	3/30	
		16	SH 204-B 16	2CDS 214 001 R 0165	63180 8	0.460	3/30	
		20	SH 204-B 20	2CDS 214 001 R 0205	63182 2	0.460	3/30	
		25	SH 204-B 25	2CDS 214 001 R 0255	63184 6	0.460	3/30	
		32	SH 204-B 32	2CDS 214 001 R 0325	63186 0	0.460	3/30	
		U _{Bmax} 440VAC	40	SH 204-B 40	2CDS 214 001 R 0405	63188 4	0.460	3/30
			50	SH 204-B 50	2CDS 214 001 R 0505	63190 2	0.460	3/30
125VDC	63	SH 204-B 63	2CDS 214 001 R 0635	63192 6	0.460	3/30		

Miniature Circuit Breakers, SH 200 Series, Nylon Type





SH 200 C Characteristic

Applications: Buildings, both residential and commercial;

Standard: IEC/EN 60898;

Function: Protection and control of the circuits against overloads and short-circuits, protection for resistive and inductive loads with low inrush current;

I_{cn}=6kA;

	Number of Poles	Rated Current, In	Type Code	Order Code	bbn 40 16779	Weight	Units/Pack
	1	6	SH 201-C 6	2CDS 211 001 R 0064	63057 3	0.115	12/120
		10	SH 201-C 10	2CDS 211 001 R 0104	63060 3	0.115	12/120
		13	SH 201-C 13	2CDS 211 001 R 0134	63062 7	0.115	12/120
		16	SH 201-C 16	2CDS 211 001 R 0164	63064 1	0.115	12/120
		20	SH 201-C 20	2CDS 211 001 R 0204	63066 5	0.115	12/120
		25	SH 201-C 25	2CDS 211 001 R 0254	63068 9	0.115	12/120
		32	SH 201-C 32	2CDS 211 001 R 0324	63070 2	0.115	12/120
		U _{Bmax} 40	SH 201-C 40	2CDS 211 001 R 0404	63072 6	0.115	12/120
		440VAC	50	SH 201-C 50	2CDS 211 001 R 0504	63075 0	0.115
60VDC	63	SH 201-C 63	2CDS 211 001 R 0634	63077 4	0.115	12/120	
	2	6	SH 202-C 6	2CDS 212 001 R 0064	63103 7	0.230	6/60
		10	SH 202-C 10	2CDS 212 001 R 0104	63106 8	0.230	6/60
		13	SH 202-C 13	2CDS 212 001 R 0134	63108 2	0.230	6/60
		16	SH 202-C 16	2CDS 212 001 R 0164	63110 5	0.230	6/60
		20	SH 202-C 20	2CDS 212 001 R 0204	63112 9	0.230	6/60
		25	SH 202-C 25	2CDS 212 001 R 0254	63114 3	0.230	6/60
		32	SH 202-C 32	2CDS 212 001 R 0324	63116 7	0.230	6/60
		U _{Bmax} 40	SH 202-C 40	2CDS 212 001 R 0404	63118 1	0.230	6/60
		440VAC	50	SH 202-C 50	2CDS 212 001 R 0504	63119 5	0.230
125VDC	63	SH 202-C 63	2CDS 212 001 R 0634	63120 9	0.230	6/60	
	3	6	SH 203-C 6	2CDS 213 001 R 0064	63057 3	0.345	4/40
		10	SH 203-C 10	2CDS 213 001 R 0104	63060 3	0.345	4/40
		13	SH 203-C 13	2CDS 213 001 R 0134	63062 7	0.345	4/40
		16	SH 203-C 16	2CDS 213 001 R 0164	63064 1	0.345	4/40
		20	SH 203-C 20	2CDS 213 001 R 0204	63066 5	0.345	4/40
		25	SH 203-C 25	2CDS 213 001 R 0254	63068 9	0.345	4/40
		32	SH 203-C 32	2CDS 213 001 R 0324	63070 2	0.345	4/40
		40	SH 203-C 40	2CDS 213 001 R 0404	63072 6	0.345	4/40
		U _{Bmax} 50	SH 203-C 50	2CDS 213 001 R 0504	63075 0	0.345	4/40
440VAC	63	SH 203-C 63	2CDS 213 001 R 0634	63077 4	0.345	4/40	
	4	6	SH 204-C 6	2CDS 214 001 R 0064	63057 3	0.460	3/30
		10	SH 204-C 10	2CDS 214 001 R 0104	63060 3	0.460	3/30
		13	SH 204-C 13	2CDS 214 001 R 0134	63062 7	0.460	3/30
		16	SH 204-C 16	2CDS 214 001 R 0164	63064 1	0.460	3/30
		20	SH 204-C 20	2CDS 214 001 R 0204	63066 5	0.460	3/30
		25	SH 204-C 25	2CDS 214 001 R 0254	63068 9	0.460	3/30
		32	SH 204-C 32	2CDS 214 001 R 0324	63070 2	0.460	3/30
		U _{Bmax} 40	SH 204-C 40	2CDS 214 001 R 0404	63072 6	0.460	3/30
		440VAC	50	SH 204-C 50	2CDS 214 001 R 0504	63075 0	0.460
125VDC	63	SH 204-C 63	2CDS 214 001 R 0634	63077 4	0.460	3/30	

Miniature Circuit Breakers, C60N

Intended for use within equipment where branch circuit protection is already provided or not needed.

- Range from 6 to 63A;
- 10k AIR @120/240VAC, 5k AIR @480Y/277;
- Suitable for reverse feeding;
- DIN mounting for easy installation;
- A wide range of electrical and mechanical accessories;

- Trip-free mechanism
- Positive indication of contact disconnect

	Use	Magnetic Release
B	For sensitive equipment	3.2-4.8 x ampere rating
C	For typical loads	7-10 x ampere rating
D	For high inrush	10-14 x ampere rating



1P



2P



3P



4P

Rating, A	1P	2P	3P	4P
B Curve-magnetic Setting Between 3.2 and 4.8 Times Ampere Rating				
6	MG24114	MG24129	MG24144	MG24159
10	MG24116	MG24131	MG24146	MG24161
16	MG24118	MG24133	MG24148	MG24163
20	MG24119	MG24134	MG24149	MG24164
25	MG24120	MG24135	MG24150	MG24165
32	MG24121	MG24136	MG24151	MG24166
40	MG24122	MG24137	MG24152	MG24167
50	MG24123	MG24138	MG24153	MG24168
63	MG24124	MG24139	MG24154	MG24169
C Curve-magnetic Setting Between 7 and 10 Times Ampere Rating				
6	MG24430	MG24447	MG24464	MG24481
10	MG24432	MG24449	MG24466	MG24483
16	MG24434	MG24451	MG24468	MG24485
20	MG24435	MG24452	MG24469	MG24486
25	MG24436	MG24453	MG24470	MG24487
32	MG24437	MG24454	MG24471	MG24488
40	MG24438	MG24455	MG24472	MG24489
50	MG24439	MG24456	MG24473	MG24490
63	MG24440	MG24457	MG24474	MG24491

Miniature Circuit Breakers, NC100H

Bimetals are used to provide adequate overload protection and can withstand high inrush due to motor starting or other transients without nuisance tripping, bimetals prevent circuit breaker from reclosing before a cool-down time for loads.

Several Tripping curves are available to match the level of protection needed: protection.

Field-installation Accessories

- Shunt trip (MX)
- Undervoltage release (MN)

	Use	Magnetic Release
B	For computers etc	3.2-4.8 x ampere rating
C	For general purpose	7-10 x ampere rating
D	For motors etc	10-14 x ampere rating



1P



2P



3P

Rating, A	1P	2P	3P	4P
B Curve-magnetic Setting Between 3.2 and 4.8 Times Ampere Rating				
63	MG27208	MG27219	MG27230	MG27241
80	MG27209	MG27220	MG27231	MG27242
100	MG27210	MG27221	MG27232	MG27243
125	MG27211	MG27222	MG27233	MG27244
C Curve-magnetic Setting Between 7 and 10 Times Ampere Rating				
63	MG27252	MG27263	MG27274	MG27285
80	MG27253	MG27264	MG27275	MG27286
100	MG27254	MG27265	MG27276	MG27287
125	MG27255	MG27266	MG27277	MG27288
B Curve-magnetic Setting Between 3.2 and 4.8 Times Ampere Rating				
63	MG27296	MG27307	MG27318	MG27329
80	MG27297	MG27308	MG27319	MG27330
100	MG27298	MG27309	MG27320	MG27331

Miniature Circuit Breakers, iC60N



iC60N circuit breakers are multi-standard circuit breakers which combine the following functions:

- Circuit protection against short-circuit currents;
- Circuit protection against overload currents;
- Suitable for industrial isolation according to IEC 60947-2 standard;
- Fault tripping indication by a red mechanical indicator in circuit breaker front face;

Technical Data

Alternating Current, AC, 50/60Hz

Breaking Capacity, Icu, according to IEC 60947-2

	Voltage, Ue				Service breaking capacity, Ics
	12 to 60V	100 to 133V	200 to 240V	-	
Ph/N, 1P	12 to 60V	100 to 133V	200 to 240V	-	
Ph/N, 2P, 3P, 4P	12 to 133V	220 to 240V	380 to 415V	440V	
Rating, In	6 to 40A	24kA	18kA	9kA	6kA
	50/63A	24kA	-	9kA	6kA

Category Numbers of iC60N

Rating, In	1P		2P		3P		4P	
	B Curve	C Curve	B Curve	C Curve	B Curve	C Curve	B Curve	C Curve
6A	A9F53106	A9F54106	A9F53206	A9F54206	A9F53306	A9F54306	A9F53406	A9F54406
10A	A9F53110	A9F54110	A9F53210	A9F54210	A9F53310	A9F54310	A9F53410	A9F54410
16A	A9F53116	A9F54116	A9F53216	A9F54216	A9F53316	A9F54316	A9F53416	A9F54416
20A	A9F53120	A9F54120	A9F53220	A9F54220	A9F53320	A9F54320	A9F53420	A9F54420
25A	A9F53125	A9F54125	A9F53225	A9F54225	A9F53325	A9F54325	A9F53425	A9F54425
32A	A9F53132	A9F54132	A9F53232	A9F54232	A9F53332	A9F54332	A9F53432	A9F54432
40A	A9F53140	A9F54140	A9F53240	A9F54240	A9F53340	A9F54340	A9F53440	A9F54440
50A	A9F53150	A9F54150	A9F53250	A9F54250	A9F53350	A9F54350	A9F53450	A9F54450
63A	A9F53163	A9F54163	A9F53263	A9F54263	A9F53363	A9F54363	A9F53463	A9F54463

Miniature Circuit Breakers, C120N



C120N circuit breakers are multi-standard circuit breakers which combine the following functions:

- Circuit protection against short-circuit currents;
- Circuit protection against overload currents;
- Suitable for industrial isolation according to IEC 60947-2 standard;
- Fault tripping indication by adding auxiliaries;

Technical Data

Alternating Current, AC, 50/60Hz

Breaking Capacity, Icu, according to IEC 60947-2

Type	Voltage, Ue				Service breaking capacity, Ics
	12 to 130V	220 to 240V	380 to 415V	440V	
1P	12 to 130V	220 to 240V	380 to 415V	440V	
Rating, In	63 to 125A	18kA	9kA	3kA	-
2P, 3P, 4P	12 to 130V	220 to 240V	380 to 415V	440V	
Rating, In	63 to 125A	-	18kA	9kA	6kA

Category Numbers of iC120N

Rating, In	1P		2P		3P		4P	
	B Curve	C Curve	B Curve	C Curve	B Curve	C Curve	B Curve	C Curve
80A	A9N18402	A9N18446	A9N18413	A9N18457	A9N18424	A9N18468	A9N18435	A9N18479
100A	A9N18403	A9N18447	A9N18414	A9N18458	A9N18425	A9N18469	A9N18436	A9N18480
125A	A9N18404	A9N18448	A9N18415	A9N18459	A9N18426	A9N18470	A9N18437	A9N18481



Miniature Circuit Breakers, DPN and iDPN

iDPN circuit breakers are designed for protection against short-circuit and overload current, for the control and disconnection of final distribution circuits in service sector, agricultural and industrial applications, in TT earthing system or with multiple earthed neutral requiring neutral cutoff its protective devices.

Category Numbers of iDPN

Rating, In	6A	10A	13A	16A	20A	25A	32A	40A
B Curve	A9N17516	A9N17517	A9N17518	A9N17519	A9N17520	A9N17521	A9N17522	A9N17523
C Curve	A9N21555	A9N21556	A9N21557	A9N21558	A9N21559	A9N21560	A9N21561	A9N21562

QOvs Miniature Circuit Breakers

- Black in color
- Instantaneous trip level type C
- Indication of tripped circuit breaker on overload or short circuit is by location of the handle in the OFF position & trip status window

In compliance with specifications:

- BS EN 60898, IEC 60898 - Miniature Circuit Breakers, NS EN 60947-3: 1992

Additional safety requirements for disconnectors and switch disconnectors are referred to in BS 7671

Technical Data

Insulation voltage, U_i	500VAC	Rated breaking capacity, I_{cn}	1P, 240VAC	6,000A
Operational voltage, U_e	240/415VAC	Service breaking capacity, I_{cs}	2P/3P, 240/415VAC	10,000A
Rated impulse withstand voltage, U_{imp}	4kV as per IEC 60898-1	Degree of protection	Device in modular enclosure	75% I_n
Reference temperature	40°C	Endurance, O-C	Mechanical	IP40
Operating frequency	50/60Hz		Electrical	Insulation class II
Pollution degree	3			20,000 cycles
Magnetic tripping, Curve C	5 to 10 I_n			4,000 cycles

Selection Table I_{cn} : 6kA, Type C, Instantaneous trip, 5In to 10In

Rated Current, A	Poles			Terminal Capacity
	1P	2P	3P	
10	QO110VSC6	QO210VSC6	QO310VSC6	1-25mm ²
16	QO116VSC6	QO216VSC6	QO316VSC6	
20	QO120VSC6	QO220VSC6	QO320VSC6	
25	QO125VSC6	QO225VSC6	QO325VSC6	
32	QO132VSC6	QO232VSC6	QO332VSC6	
40	QO140VSC6	QO240VSC6	QO340VSC6	2.5-33mm ²
50	QO150VSC6	QO250VSC6	QO350VSC6	
63	QO163VSC6	QO263VSC6	QO363VSC6	



QOVS132VSC6



QOVS232VSC10



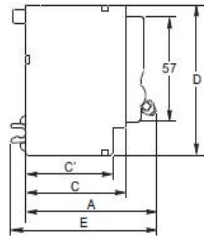
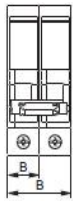
QOVS332VSC10

I_{cn} : 10kA, Type C, Instantaneous trip, 5In to 10In

Rated Current, A	Poles			Terminal Capacity
	1P	2P	3P	
10	QO110VSC10	QO210VSC10	QO310VSC10	1-25mm ²
16	QO116VSC10	QO216VSC10	QO316VSC10	
20	QO120VSC10	QO220VSC10	QO320VSC10	
25	QO125VSC10	QO225VSC10	QO325VSC10	
32	QO132VSC10	QO232VSC10	QO332VSC10	
40	QO140VSC10	QO240VSC10	QO340VSC10	2.5-33mm ²
50	QO150VSC10	QO250VSC10	QO350VSC10	
63	QO163VSC10	QO263VSC10	QO363VSC10	

Dimensions, mm and Weight, g

Poles	A	B	C	D	E	Weight
1P	78.3	18.7	58.8	51.4	86.3	104
2P	78.3	37.4	58.8	51.4	86.3	208
3P	78.3	56.1	58.8	51.4	86.3	312



Domae Miniature Circuit Breakers

Domae Miniature Circuit Breakers combine the following functions:




- Short circuit protection
- Overload protection

Domae Miniature Circuit Breakers are designed for all housing and residential applications.

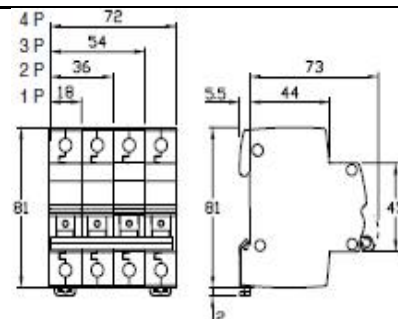
Descriptions:

- Current ratings: 6, 10, 16, 20, 25, 32, 40, 50, 63A;
- C curve: suitable for household applications;
- Breaking capacity: 6kA at 240/415VAC as per IEC 60898;
- Operational voltage: 240/415VAC
- Limitation class: 3
- 2-position handle: On/Off with I/O indicator;
- Clamping screw: screw head 5mm blade or PZ2 recessed;
- Terminal capacity: 25mm² max terminals with guards for rigid copper cables;
- Quality mark and approval VDE
- Marketing zone: 18x12mm used labels;
- Identification of household range

Selection Table of Domae Miniature Circuit Breakers

Type	Width in 9mm Module	Rated Current, In	Reference
 DOM11342	2	6A	DOM11340
		10A	DOM11341
		16A	DOM11342
		20A	DOM11343
		25A	DOM11344
		32A	DOM11345
		40A	DOM11446
		50A	DOM11335
		63A	DOM11336
		 DOM11232	4
10A	DOM11231		
16A	DOM11232		
20A	DOM11233		
25A	DOM11234		
32A	DOM11235		
40A	DOM11236		
50A	DOM11237		
 DOM11349	6	6A	DOM11347
		10A	DOM11348
		16A	DOM11349
		20A	DOM11350
		25A	DOM11351
		32A	DOM11352
		40A	DOM11353
		50A	DOM11337
63A	DOM11338		

Dimensions of Domae Miniature Circuit Breakers, mm



Miniature Circuit Breakers L7

- Twin purpose terminals, Lift/Open mouthed
 - High selectivity between MCB and back-up fuse due to low let through energy
 - Switch position indicator red-green
 - Switching toggle in rated current color
 - Rated breaking capacity as per IEC/EN 60898: 6kA/10kA
 - Characteristic D for industrial applications
- Note: All L7-MCBs are supplied in standard cardboard box, please take into account packing units cardboard box/ship ping box



L7, 1P



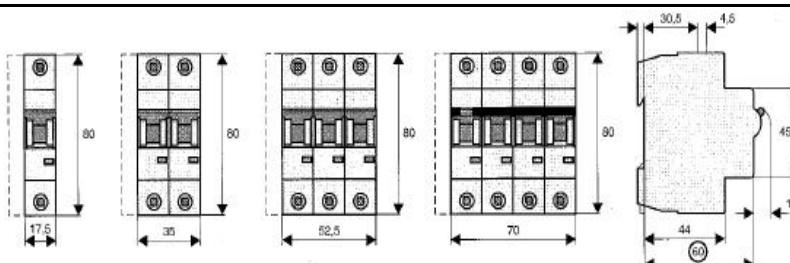
L7, 2P



L7, 3P

Rated Current, In	Designation & Code		Designation & Code		Designation & Code		Units/Pack
1-Pole							
	Characteristic B		Characteristic C		Characteristic D		
6A	L7-6/1/B	950700124	L7-6/1/C	950700184	L7-6/1/D	952700104	12/120
10A	L7-10/1/B	950700126	L7-10/1/C	950700186	L7-10/1/D	952700106	12/120
13A	L7-13/1/B	950700127	L7-13/1/C	950700187	L7-13/1/D	952700107	12/120
16A	L7-16/1/B	950700129	L7-16/1/C	950700189	L7-16/1/D	952700109	12/120
20A	L7-20/1/B	950700130	L7-20/1/C	950700190	L7-20/1/D	952700110	12/120
25A	L7-25/1/B	950700131	L7-25/1/C	950700191	L7-25/1/D	952700111	12/120
32A	L7-32/1/B	950700132	L7-32/1/C	950700192	L7-32/1/D	952700112	12/120
40A	L7-40/1/B	950700133	L7-40/1/C	950700193	L7-40/1/D	952700113	12/120
50A	L7-50/1/B	950700134	L7-50/1/C	950700194	-	-	12/120
63A	L7-63/1/B	950700135	L7-63/1/C	950700195	-	-	12/120
2-pole							
6A	L7-6/2/B	950700224	L7-6/2/C	950700284	L7-6/2/D	952700204	6/60
10A	L7-10/2/B	950700226	L7-10/2/C	950700286	L7-10/2/D	952700206	6/60
13A	L7-13/2/B	950700227	L7-13/2/C	950700287	L7-13/2/D	952700207	6/60
16A	L7-16/2/B	950700229	L7-16/2/C	950700289	L7-16/2/D	952700209	6/60
20A	L7-20/2/B	950700230	L7-20/2/C	950700290	L7-20/2/D	952700210	6/60
25A	L7-25/2/B	950700231	L7-25/2/C	950700291	L7-25/2/D	952700211	6/60
32A	L7-32/2/B	950700232	L7-32/2/C	950700292	L7-32/2/D	952700212	6/60
40A	L7-40/2/B	950700233	L7-40/2/C	950700293	L7-40/2/D	952700213	6/60
50A	L7-50/2/B	950700234	L7-50/2/C	950700294	-	-	6/60
63A	L7-63/2/B	950700235	L7-63/2/C	950700295	-	-	6/60
3-pole							
6A	L7-6/3/B	950700324	L7-6/3/C	950700384	L7-6/3/D	952700304	4/40
10A	L7-10/3/B	950700326	L7-10/3/C	950700386	L7-10/3/D	952700306	4/40
13A	L7-13/3/B	950700327	L7-13/3/C	950700387	L7-13/3/D	952700307	4/40
16A	L7-16/3/B	950700329	L7-16/3/C	950700389	L7-16/3/D	952700309	4/40
20A	L7-20/3/B	950700330	L7-20/3/C	950700390	L7-20/3/D	952700310	4/40
25A	L7-25/3/B	950700331	L7-25/3/C	950700391	L7-25/3/D	952700311	4/40
32A	L7-32/3/B	950700332	L7-32/3/C	950700392	L7-32/3/D	952700312	4/40
40A	L7-40/3/B	950700333	L7-40/3/C	950700393	L7-40/3/D	952700313	4/40
50A	L7-50/3/B	950700334	L7-50/3/C	950700394	-	-	4/40
63A	L7-63/3/B	950700335	L7-63/3/C	950700395	-	-	4/40
4-pole							
6A	L7-6/4/B	950704924	L7-6/4/C	950704984	L7-6/4/D	952700804	3/30
10A	L7-10/4/B	950704926	L7-10/4/C	950704986	L7-10/4/D	952700806	3/30
13A	L7-13/4/B	950704927	L7-13/4/C	950704987	L7-13/4/D	952700807	3/30
16A	L7-16/4/B	950704929	L7-16/4/C	950704989	L7-16/4/D	952700809	3/30
20A	L7-20/4/B	950704930	L7-20/4/C	950704990	L7-20/4/D	952700810	3/30
25A	L7-25/4/B	950704931	L7-25/4/C	950704991	L7-25/4/D	952700811	3/30
32A	L7-32/4/B	950704932	L7-32/4/C	950704992	L7-32/4/D	952700812	3/30
40A	L7-40/4/B	950704933	L7-40/4/C	950704993	L7-40/4/D	952700813	3/30
50A	L7-50/4/B	950704934	L7-50/4/C	950704994	-	-	3/30
63A	L7-63/4/B	950704935	L7-63/4/C	950704995	-	-	3/30





Dimensions, mm



Miniature Circuit Breakers PL4

- High-quality miniature circuit breakers for commercial and residential applications;
- Contact position indicator red and green;
- Guide for secure terminal connection;
- 3-position DIN rail clip, permits removal from existing busbar system;
- Comprehensive range of accessories suitable for subsequent installation;
- Rated breaking capacity 4.5kA according to IEC/EN 60898-1;

Miniature Circuit Breakers PL4, 4.5kA





	Characteristic B		Characteristic C		Units/Pack	
	Rated Current, In	Designation & Code	Designation & Code			
1-pole						
 1P	6A	PL4-B6/1	293113	PL4-C6/1	293122	12/120
	8A	PL4-B8/1	164718	PL4-C8/1	164753	12/120
	10A	PL4-B10/1	293114	PL4-C10/1	239123	12/120
	13A	PL4-B13/1	164709	PL4-C13/1	164726	12/120
	16A	PL4-B16/1	293115	PL4-C16/1	293124	12/120
	20A	PL4-B20/1	293116	PL4-C20/1	293125	12/120
	25A	PL4-B25/1	293117	PL4-C25/1	293126	12/120
	32A	PL4-B32/1	293118	PL4-C32/1	293127	12/120
	40A	PL4-B40/1	293119	PL4-C40/1	293128	12/120
	50A	PL4-B50/1	293120	PL4-C50/1	293129	12/120
	63A	PL4-B63/1	293121	PL4-C63/1	293130	12/120
2-pole						
 2P	6A	PL4-B6/2	293131	PL4-C6/2	293140	6/60
	8A	PL4-B8/2	164783	PL4-C8/2	164800	6/60
	10A	PL4-B10/2	293132	PL4-C10/2	293141	6/60
	13A	PL4-B13/2	164775	PL4-C13/2	164792	6/60
	16A	PL4-B16/2	293133	PL4-C16/2	293142	6/60
	20A	PL4-B20/2	293134	PL4-C20/2	293143	6/60
	25A	PL4-B25/2	293135	PL4-C25/2	293144	6/60
	32A	PL4-B32/2	293136	PL4-C32/2	293145	6/60
	40A	PL4-B40/2	293137	PL4-C40/2	293146	6/60
	50A	PL4-B50/2	293138	PL4-C50/2	293147	6/60
	63A	PL4-B63/2	293139	PL4-C63/2	293148	6/60
3-pole						
 3P	6A	PL4-B6/3	293149	PL4-C6/3	293158	4/40
	8A	PL4-B8/3	164848	PL4-C8/3	164865	4/40
	10A	PL4-B10/3	293150	PL4-C10/3	293159	4/40
	13A	PL4-B13/3	164840	PL4-C13/3	164857	4/40
	16A	PL4-B16/3	293151	PL4-C16/3	293160	4/40
	20A	PL4-B20/3	293152	PL4-C20/3	293161	4/40
	25A	PL4-B25/3	293153	PL4-C25/3	293162	4/40
	32A	PL4-B32/3	293154	PL4-C32/3	293163	4/40
	40A	PL4-B40/3	293155	PL4-C40/3	293164	4/40
	50A	PL4-B50/3	293156	PL4-C50/3	293165	4/40
	63A	PL4-B63/3	293157	PL4-C63/3	293166	4/40
4-pole						
 4P	6A	PL4-B6/4	166458	PL4-C6/4	166484	3/30
	8A	PL4-B8/4	166460	PL4-C8/4	166486	3/30
	10A	PL4-B10/4	166442	PL4-C10/4	166468	3/30
	13A	PL4-B13/4	166444	PL4-C13/4	166470	3/30
	16A	PL4-B16/4	166446	PL4-C16/4	166472	3/30
	20A	PL4-B20/4	166449	PL4-C20/4	166475	3/30
	25A	PL4-B25/4	166450	PL4-C25/4	166476	3/30
	32A	PL4-B32/4	166453	PL4-C32/4	166479	3/30
	40A	PL4-B40/4	166455	PL4-C40/4	166481	3/30
	50A	PL4-B50/4	166457	PL4-C50/4	188483	3/30
	63A	PL4-B63/4	166459	PL4-C63/4	166485	3/30

Explanation PL4 P=xPole, L=MCB, 4=4.5kA

Miniature Circuit Breakers PL6

- High-quality miniature circuit breakers for commercial and residential applications;
- Contact position indicator red and green;
- Guide for secure terminal connection;
- 3-position DIN rail clip, permits removal from existing busbar system;
- Comprehensive range of accessories suitable for subsequent installation;
- Rated breaking capacity 6kA according to IEC/EN 60898-1;

Miniature Circuit Breakers PL6, 6kA





	Rated Current, In	Designation & Code Characteristic B	Designation & Code Characteristic C	Designation & Code Characteristic D	Units/Pack
 1P	1-Pole				
	6A	PL6-B6/1 286518	PL6-C6/1 286530	PL6-D6/1 286542	12/120
	8A	PL6-B8/1 164745	PL6-C8/1 164759	PL6-D8/1 164770	12/120
	10A	PL6-B10/1 286519	PL6-C10/1 286531	PL6-D10/1 286543	12/120
	13A	PL6-B13/1 286520	PL6-C13/1 286532	PL6-D13/1 286544	12/120
	16A	PL6-B16/1 286521	PL6-C16/1 286533	PL6-D16/1 286545	12/120
	20A	PL6-B20/1 286522	PL6-C20/1 286534	PL6-D20/1 286546	12/120
	25A	PL6-B25/1 286523	PL6-C25/1 286535	PL6-D25/1 286547	12/120
	32A	PL6-B32/1 286524	PL6-C32/1 286536	PL6-D32/1 286548	12/120
	40A	PL6-B40/1 286525	PL6-C40/1 286537	PL6-D40/1 286549	12/120
	50A	PL6-B50/1 286526	PL6-C50/1 286538	- -	-
	63A	PL6-B63/1 286527	PL6-C63/1 286539	- -	-
 2P	2-pole				
	6A	PL6-B6/2 286552	PL6-C6/2 286564	PL6-D6/2 286576	6/60
	8A	PL6-B8/2 164810	PL6-C8/2 164824	PL6-D8/2 164835	6/60
	10A	PL6-B10/2 286553	PL6-C10/2 286565	PL6-D10/2 286577	6/60
	13A	PL6-B13/2 286554	PL6-C13/2 286566	PL6-D13/2 286578	6/60
	16A	PL6-B16/2 286555	PL6-C16/2 286567	PL6-D16/2 286579	6/60
	20A	PL6-B20/2 286556	PL6-C20/2 286568	PL6-D20/2 286580	6/60
	25A	PL6-B25/2 286557	PL6-C25/2 286569	PL6-D25/2 286581	6/60
	32A	PL6-B32/2 286558	PL6-C32/2 286570	PL6-D32/2 286582	6/60
	40A	PL6-B40/2 286559	PL6-C40/2 286571	PL6-D40/2 286583	6/60
	50A	PL6-B50/2 286560	PL6-C50/2 286572	- -	-
	63A	PL6-B63/2 286561	PL6-C63/2 286573	- -	-
 3P	3-pole				
	6A	PL6-B6/3 286586	PL6-C6/3 286598	PL6-D6/3 286610	4/40
	8A	PL6-B8/3 164875	PL6-C8/3 164889	PL6-D8/3 164900	4/40
	10A	PL6-B10/3 286587	PL6-C10/3 286599	PL6-D10/3 286611	4/40
	13A	PL6-B13/3 286588	PL6-C13/3 286600	PL6-D13/3 286612	4/40
	16A	PL6-B16/3 286589	PL6-C16/3 286601	PL6-D16/3 286613	4/40
	20A	PL6-B20/3 286590	PL6-C20/3 286602	PL6-D20/3 286614	4/40
	25A	PL6-B25/3 286591	PL6-C25/3 286603	PL6-D25/3 286615	4/40
	32A	PL6-B32/3 286592	PL6-C32/3 286604	PL6-D32/3 286616	4/40
	40A	PL6-B40/3 286593	PL6-C40/3 286605	PL6-D40/3 286617	4/40
	50A	PL6-B50/3 286594	PL6-C50/3 286606	- -	4/40
	63A	PL6-B63/3 286595	PL6-C63/3 286607	- -	4/40
 4P	4-pole				
	6A	PL6-B6/4 166505	PL6-C6/4 166531	PL6-D6/4 166550	3/30
	8A	PL6-B8/4 166507	PL6-C8/4 166533	PL6-D8/4 166554	3/30
	10A	PL6-B10/4 166490	PL6-C10/4 166515	PL6-D10/4 166538	3/30
	13A	PL6-B13/4 166492	PL6-C13/4 166517	PL6-D13/4 166540	3/30
	16A	PL6-B16/4 166494	PL6-C16/4 166519	PL6-D16/4 166542	3/30
	20A	PL6-B20/4 166497	PL6-C20/4 166522	PL6-D20/4 166545	3/30
	25A	PL6-B25/4 166498	PL6-C25/4 166523	PL6-D25/4 166546	3/30
	32A	PL6-B32/4 166500	PL6-C32/4 166526	PL6-D32/4 166549	3/30
	40A	PL6-B40/4 166502	PL6-C40/4 166528	PL6-D40/4 166551	3/30
	50A	PL6-B50/4 166504	PL6-C50/4 166530	- -	-
	63A	PL6-B63/4 166506	PL6-C63/4 166532	- -	-

Explanation PL6 P=xPole, L=MCB, 6=6kA

Miniature Circuit Breakers PL7

- High-quality miniature circuit breakers for commercial and residential applications;
- Contact position indicator red and green;
- Guide for secure terminal connection;
- 3-position DIN rail clip, permits removal from existing busbar system;
- Comprehensive range of accessories suitable for subsequent installation;
- Rated breaking capacity 10kA according to IEC/EN 60898-1;

Miniature Circuit Breakers PL7, 10kA

	Rated Current, In	Designation & Code		Designation & Code		Designation & Code		Units/Pack
		Characteristic B		Characteristic C		Characteristic D		
 1P	1-Pole							
	6A	PL7-B6/1	262673	PL7-C6/1	262701	PL7-D6/1	262713	12/120
	8A	PL7-B8/1	165057	PL7-C8/1	165065	PL7-D8/1	165076	12/120
	10A	PL7-B10/1	262674	PL7-C10/1	262702	PL7-D10/1	262714	12/120
	13A	PL7-B13/1	262675	PL7-C13/1	262703	PL7-D13/1	262715	12/120
	16A	PL7-B16/1	262676	PL7-C16/1	262704	PL7-D16/1	262716	12/120
	20A	PL7-B20/1	262677	PL7-C20/1	262705	PL7-D20/1	262717	12/120
	25A	PL7-B25/1	262678	PL7-C25/1	262706	PL7-D25/1	262718	12/120
	32A	PL7-B32/1	262679	PL7-C32/1	262707	PL7-D32/1	262719	12/120
	40A	PL7-B40/1	262690	PL7-C40/1	262708	PL7-D40/1	262720	12/120
	50A	PL7-B50/1	262691	PL7-C50/1	262709	-	-	-
63A	PL7-B63/1	262692	PL7-C63/1	262710	-	-	-	
 2P	2-pole							
	6A	PL7-B6/2	262761	PL7-C6/2	263356	PL7-D6/2	263368	6/60
	8A	PL7-B8/2	165088	PL7-C8/2	165100	PL7-D8/2	165109	6/60
	10A	PL7-B10/2	262762	PL7-C10/2	263357	PL7-D10/2	263369	6/60
	13A	PL7-B13/2	262764	PL7-C13/2	263358	PL7-D13/2	263380	6/60
	16A	PL7-B16/2	262765	PL7-C16/2	263359	PL7-D16/2	263381	6/60
	20A	PL7-B20/2	262766	PL7-C20/2	263360	PL7-D20/2	263382	6/60
	25A	PL7-B25/2	262767	PL7-C25/2	263361	PL7-D25/2	263383	6/60
	32A	PL7-B32/2	262768	PL7-C32/2	263362	PL7-D32/2	263384	6/60
	40A	PL7-B40/2	262769	PL7-C40/2	263363	PL7-D40/2	263385	6/60
	50A	PL7-B50/2	263350	PL7-C50/2	263364	-	-	-
63A	PL7-B63/2	263351	PL7-C63/2	263365	-	-	-	
 3P	3-pole							
	6A	PL7-B6/3	263386	PL7-C6/3	263406	PL7-D6/3	263418	4/40
	8A	PL7-B8/3	165120	PL7-C8/3	165132	PL7-D8/3	165143	4/40
	10A	PL7-B10/3	263387	PL7-C10/3	263407	PL7-D10/3	263419	4/40
	13A	PL7-B13/3	263388	PL7-C13/3	263408	PL7-D13/3	263420	4/40
	16A	PL7-B16/3	263389	PL7-C16/3	263409	PL7-D16/3	263421	4/40
	20A	PL7-B20/3	263390	PL7-C20/3	263410	PL7-D20/3	263422	4/40
	25A	PL7-B25/3	263391	PL7-C25/3	263411	PL7-D25/3	263423	4/40
	32A	PL7-B32/3	263392	PL7-C32/3	263412	PL7-D32/3	263424	4/40
	40A	PL7-B40/3	263393	PL7-C40/3	263413	PL7-D40/3	263425	4/40
	50A	PL7-B50/3	263400	PL7-C50/3	263414	-	-	-
63A	PL7-B63/3	263401	PL7-C63/3	263415	-	-	-	
 4P	4-pole							
	6A	PL7-B6/4	165163	PL7-C6/4	165188	PL7-D6/4	165210	3/30
	8A	PL7-B8/4	165165	PL7-C8/4	165190	PL7-D8/4	165211	3/30
	10A	PL7-B10/4	165147	PL7-C10/4	165173	PL7-D10/4	165195	3/30
	13A	PL7-B13/4	165149	PL7-C13/4	165175	PL7-D13/4	165197	3/30
	16A	PL7-B16/4	165151	PL7-C16/4	107329	PL7-D16/4	165199	3/30
	20A	PL7-B20/4	165154	PL7-C20/4	165179	PL7-D20/4	165202	3/30
	25A	PL7-B25/4	165155	PL7-C25/4	165180	PL7-D25/4	165203	3/30
	32A	PL7-B32/4	165158	PL7-C32/4	165183	PL7-D32/4	165206	3/30
	40A	PL7-B40/4	165160	PL7-C40/4	165185	PL7-D40/4	165208	3/30
	50A	PL7-B50/4	165162	PL7-C50/4	165187	PL7-D50/4	-	-
63A	PL7-B63/4	165164	PL7-C63/4	165189	PL7-D63/4	-	-	

Explanation PL7 P=xPole, L=MCB, 7=10kA

Miniature Circuit Breakers PLN4, PLN6

- Top-quality miniature circuit breakers 1P+N with a width of 1 module unit requiring little space for installation;
- Contact position indicator red and green;
- Guide for secure terminal connection;
- Comprehensive range of accessories suitable for subsequent installation;
- Rated currents up to 40A;
- Tripping characteristics B, C
- Rated breaking capacity 4.5/6kA according to IEC/EN 60898-1;



Miniature Circuit Breakers PLN4

MW

4.5kA, 1+N-pole

Rated Current, In, A	Type Designation	Article Number	Units Per Package
----------------------	------------------	----------------	-------------------

Characteristic B

6	PLN4-B6/1N	263179	12/120
10	PLN4-B10/1N	263180	12/120
13	PLN4-B13/1N	263181	12/120
16	PLN4-B16/1N	263182	12/120
20	PLN4-B20/1N	263183	12/120
25	PLN4-B25/1N	263184	12/120
32	PLN4-B32/1N	263185	12/120
40	PLN4-B40/1N	263186	12/120

Characteristic C

6	PLN4-C6/1N	263189	12/120
10	PLN4-C10/1N	263190	12/120
13	PLN4-C13/1N	263191	12/120
16	PLN4-C16/1N	263192	12/120
20	PLN4-C20/1N	263193	12/120
25	PLN4-C25/1N	263194	12/120
32	PLN4-C32/1N	263195	12/120
40	PLN4-C40/1N	263196	12/120

Miniature Circuit Breakers PLN6

MW

6kA, 1+N-pole

Rated Current, In, A	Type Designation	Article Number	Units Per Package
----------------------	------------------	----------------	-------------------

Characteristic B

6	PLN6-B6/1N	263161	12/120
10	PLN6-B10/1N	263162	12/120
13	PLN6-B13/1N	263163	12/120
16	PLN6-B16/1N	263164	12/120
20	PLN6-B20/1N	263165	12/120
25	PLN6-B25/1N	263166	12/120
32	PLN6-B32/1N	263167	12/120
40	PLN6-B40/1N	263168	12/120

Characteristic C

6	PLN6-C6/1N	263171	12/120
10	PLN6-C10/1N	263172	12/120
13	PLN6-C13/1N	263173	12/120
16	PLN6-C16/1N	263174	12/120
20	PLN6-C20/1N	263175	12/120
25	PLN6-C25/1N	263176	12/120
32	PLN6-C32/1N	263177	12/120
40	PLN6-C40/1N	263178	12/120



Explanation of PLN

P=xPole, LN=MCB, 1P+N, 1MU, 4=4.5kA, 6=6kA

www.teatonelec.com

Miniature Circuit Breakers PLS..., PLZ...

Technical Data

Mechanical

Frame Size:	45mm
Device Height:	80mm
Device Width:	17.5mm per pole
Mounting:	Quick fastening with 3 lock-in positions on DIN rail IEC60715

Degree of protection IP20

Upper and lower terminals Open mouthed/lift terminals

Terminal protection Finger and hand touch safe

Terminal capacity: 1-25mm²

Terminal fastening 2-2.4 Nm

Busbar thickness: 0.8-2.0 mm

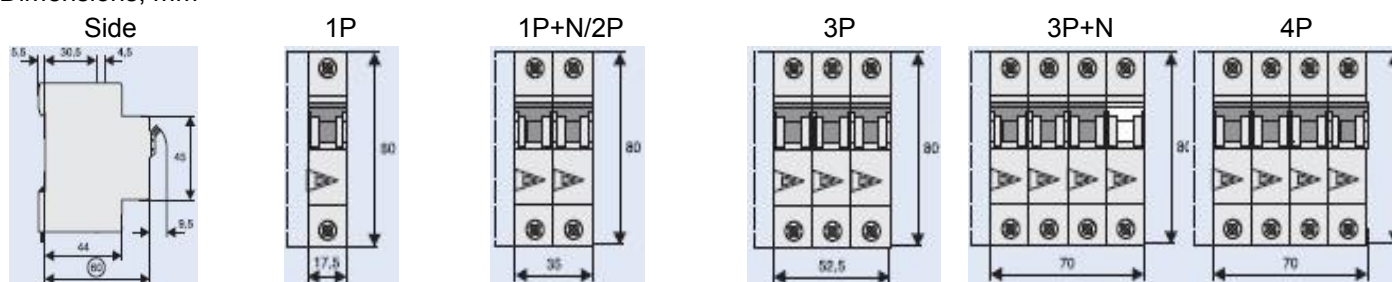
Mounting: Independent of position

Line voltage connection Optional, above/below

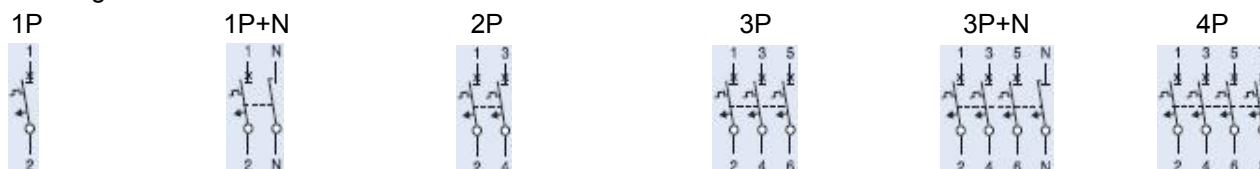
Features:

- High selectivity between MCB and back-up fuse due to low let-through energy;
- Compatible with standard busbar;
- Twin-purpose terminal above and below;
- Busbar positioning optionally above or below;
- Meets the requirements of insulation co-ordination distance between contacts $\geq 4\text{mm}$, for secure isolation;
- Suitable for applications up to 48VDC;

Dimensions, mm



Connection diagrams



Explanation PLS..., PLZ...

P=xPole, LS, LZ=MCB

www.teatonelec.com

Electrical

Design according to:

Current test marks as printed onto the device IEC/EN 60898-1

Rated Voltage AC: 230/400V

DC: 48V per pole

Rated frequency: 50/60Hz

Rated breaking capacity according to IEC

PLS4, PLZ4, PL4 4.5kA

PLS6, PLZ6, PL6 6.0kA

PLSM, PLZM, PL7 10kA

Characteristic: B, C, D

Rated peak withstand voltage, U_{imp}: 4kV

Selective class: 3

Endurance Electrical: $\geq 4,000$ Cycles

Accessories:

Auxiliary switch for subsequent installation: ZP-IHK 286052

ZP-NHK 248437

Remote control & automatic

switching device Z-FW/LP 248296

Shunt trip release: ZP-ASA/..., 24843 248439

Undervoltage release: Z-USA/..., 24828 248291

Switching Interlock: Z-IS/SPE-1TE 274418

Miniature Circuit Breakers PLS4, PLZ4

- High-quality miniature circuit breakers for commercial and residential applications;
- Contact position indicator red and green;
- Guide for secure terminal connection;
- 3-position DIN rail clip, permits removal from existing busbar system;
- Comprehensive range of accessories suitable for subsequent installation;
- Rated breaking capacity 4.5kA according to IEC/EN 60898-1;

Miniature Circuit Breakers PLS4, 4.5kA

Rated Current, In	Characteristic B		Characteristic C		Units/Pack
	Designation & Code		Designation & Code		
1-pole					
6A	PLS4-B6	243150	PLS4-C6	243176	12/120
8A	PLS4-B8	243151	PLS4-C8	243177	12/120
10A	PLS4-B10	243152	PLS4-C10	243178	12/120
13A	PLS4-B13	243154	PLS4-C13	243180	12/120
16A	PLS4-B16	243156	PLS4-C16	243182	12/120
20A	PLS4-B20	243157	PLS4-C20	243183	12/120
25A	PLS4-B25	243158	PLS4-C25	243184	12/120
32A	PLS4-B32	243159	PLS4-C32	243185	12/120
40A	PLS4-B40	243160	PLS4-C40	243186	12/120
50A	PLS4-B50	243161	PLS4-C50	243187	12/120
63A	PLS4-B63	243162	PLS4-C63	243188	12/120
1+N-pole, 2MU					
6A	PLZ4-B6/1N	243198	PLZ4-C6/1N	243224	6/60
8A	PLZ4-B8/1N	243199	PLZ4-C8/1N	243225	6/60
10A	PLZ4-B10/1N	243200	PLZ4-C10/1N	243226	6/60
13A	PLZ4-B13/1N	243202	PLZ4-C13/1N	243228	6/60
16A	PLZ4-B16/1N	243204	PLZ4-C16/1N	243230	6/60
20A	PLZ4-B20/1N	243205	PLZ4-C20/1N	243231	6/60
25A	PLZ4-B25/1N	243206	PLZ4-C25/1N	243232	6/60
32A	PLZ4-B32/1N	243207	PLZ4-C32/1N	243233	6/60
40A	PLZ4-B40/1N	243208	PLZ4-C40/1N	243234	6/60
50A	PLZ4-B50/1N	243209	PLZ4-C50/1N	243235	6/60
63A	PLZ4-B63/1N	243210	PLZ4-C63/1N	243236	6/60
2-pole					
6A	PLS4-B6/2	243246	PLS4-C6/2	243272	6/60
8A	PLS4-B8/2	243247	PLS4-C8/2	243273	6/60
10A	PLS4-B10/2	243248	PLS4-C10/2	243274	6/60
13A	PLS4-B13/2	243250	PLS4-C13/2	243276	6/60
16A	PLS4-B16/2	243252	PLS4-C16/2	243278	6/60
20A	PLS4-B20/2	243253	PLS4-C20/2	243279	6/60
25A	PLS4-B25/2	243254	PLS4-C25/2	243280	6/60
32A	PLS4-B32/2	243255	PLS4-C32/2	243281	6/60
40A	PLS4-B40/2	243256	PLS4-C40/2	243282	6/60
50A	PLS4-B50/2	243257	PLS4-C50/2	243283	6/60
63A	PLS4-B63/2	243258	PLS4-C63/2	243284	6/60
3-pole					
6A	PLS4-B6/3	243294	PLS4-C6/3	243320	4/40
8A	PLS4-B8/3	243295	PLS4-C8/3	243321	4/40
10A	PLS4-B10/3	243296	PLS4-C10/3	243322	4/40
13A	PLS4-B13/3	243298	PLS4-C13/3	243324	4/40
16A	PLS4-B16/3	243300	PLS4-C16/3	243326	4/40
20A	PLS4-B20/3	243301	PLS4-C20/3	243327	4/40
25A	PLS4-B25/3	243302	PLS4-C25/3	243328	4/40
32A	PLS4-B32/3	243303	PLS4-C32/3	243329	4/40
40A	PLS4-B40/3	243304	PLS4-C40/3	243330	4/40
50A	PLS4-B50/3	243305	PLS4-C50/3	243331	4/40
63A	PLS4-B63/3	243306	PLS4-C63/3	243332	4/40





Explanation PLS4, PLZ4

P=xPole, LS, LZ=MCB, 4=4.5kA

Miniature Circuit Breakers PLS6, PLZ6

- High-quality miniature circuit breakers for commercial and residential applications;
- Contact position indicator red and green;
- Guide for secure terminal connection;
- 3-position DIN rail clip, permits removal from existing busbar system;
- Comprehensive range of accessories suitable for subsequent installation;
- Rated breaking capacity 6kA according to IEC/EN 60898-1;

Miniature Circuit Breakers PLS6/PLZ6, 6kA

	Rated Current, In Designation & Code		Designation & Code		Designation & Code		Units/Pack	
	Type	Characteristic B	Characteristic C	Characteristic D	Characteristic D	Characteristic D		
 1P	1-pole							
	6A	PLS6-B6	242649	PLS6-C6	242675	PLS6-D6	242698	12/120
	8A	PLS6-B8	242650	PLS6-C8	242676	PLS6-D8	242699	12/120
	10A	PLS6-B10	242651	PLS6-C10	242677	PLS6-D10	242700	12/120
	13A	PLS6-B13	242653	PLS6-C13	242679	PLS6-D13	242702	12/120
	16A	PLS6-B16	242655	PLS6-C16	242681	PLS6-D16	242704	12/120
	20A	PLS6-B20	242656	PLS6-C20	242682	PLS6-D20	242705	12/120
	25A	PLS6-B25	242657	PLS6-C25	242683	PLS6-D25	242706	12/120
	32A	PLS6-B32	242658	PLS6-C32	242684	PLS6-D32	242707	12/120
	40A	PLS6-B40	242659	PLS6-C40	242685	PLS6-D40	242708	12/120
	50A	PLS6-B50	242660	PLS6-C50	242686	-	-	-
63A	PLS6-B63	242661	PLS6-C63	242687	-	-	-	
 1P+N	1+N-pole, 2MU							
	6A	PLZ6-B6/1N	242779	PLZ6-C6/1N	242805	PLZ6-D6/1N	242828	6/60
	8A	PLZ6-B8/1N	242780	PLZ6-C8/1N	242806	PLZ6-D8/1N	242829	6/60
	10A	PLZ6-B10/1N	242781	PLZ6-C10/1N	242807	PLZ6-D10/1N	242830	6/60
	13A	PLZ6-B13/1N	242783	PLZ6-C13/1N	242809	PLZ6-D13/1N	242832	6/60
	16A	PLZ6-B16/1N	242785	PLZ6-C16/1N	242811	PLZ6-D16/1N	242834	6/60
	20A	PLZ6-B20/1N	242786	PLZ6-C20/1N	242812	PLZ6-D20/1N	242835	6/60
	25A	PLZ6-B25/1N	242787	PLZ6-C25/1N	242813	PLZ6-D25/1N	242836	6/60
	32A	PLZ6-B32/1N	242788	PLZ6-C32/1N	242814	PLZ6-D32/1N	242837	6/60
	40A	PLZ6-B40/1N	242789	PLZ6-C40/1N	242815	PLZ6-D40/1N	242838	6/60
	50A	PLZ6-B50/1N	242790	PLZ6-C50/1N	242816	-	-	-
63A	PLZ6-B63/1N	242791	PLZ6-C63/1N	242817	-	-	-	
 2P	2-pole							
	6A	PLS6-B6/2	242848	PLS6-C6/2	242874	PLS6-D6/2	242897	6/60
	8A	PLS6-B8/2	242849	PLS6-C8/2	242875	PLS6-D8/2	242898	6/60
	10A	PLS6-B10/2	242850	PLS6-C10/2	242876	PLS6-D10/2	242899	6/60
	13A	PLS6-B13/2	242852	PLS6-C13/2	242878	PLS6-D13/2	242901	6/60
	16A	PLS6-B16/2	242854	PLS6-C16/2	242880	PLS6-D16/2	242903	6/60
	20A	PLS6-B20/2	242855	PLS6-C20/2	242881	PLS6-D20/2	242904	6/60
	25A	PLS6-B25/2	242856	PLS6-C25/2	242882	PLS6-D25/2	242905	6/60
	32A	PLS6-B32/2	242857	PLS6-C32/2	242883	PLS6-D32/2	242906	6/60
	40A	PLS6-B40/2	242858	PLS6-C40/2	242884	PLS6-D40/2	242907	6/60
	50A	PLS6-B50/2	242859	PLS6-C50/2	242885	-	-	-
63A	PLS6-B63/2	242860	PLS6-C63/2	242886	-	-	-	
 3P	3-pole							
	6A	PLS6-B6/3	242917	PLS6-C6/3	242943	PLS6-D6/3	242966	4/40
	8A	PLS6-B8/3	242918	PLS6-C8/3	242944	PLS6-D8/3	242967	4/40
	10A	PLS6-B10/3	242919	PLS6-C10/3	242945	PLS6-D10/3	242968	4/40
	13A	PLS6-B13/3	242921	PLS6-C13/3	242947	PLS6-D13/3	242970	4/40
	16A	PLS6-B16/3	242923	PLS6-C16/3	242949	PLS6-D16/3	242972	4/40
	20A	PLS6-B20/3	242924	PLS6-C20/3	242950	PLS6-D20/3	242973	4/40
	25A	PLS6-B25/3	242925	PLS6-C25/3	242951	PLS6-D25/3	242974	4/40
	32A	PLS6-B32/3	242926	PLS6-C32/3	242952	PLS6-D32/3	242975	4/40
	40A	PLS6-B40/3	242927	PLS6-C40/3	242953	PLS6-D40/3	242976	4/40
	50A	PLS6-B50/3	242928	PLS6-C50/3	242954	-	-	-
63A	PLS6-B63/3	242929	PLS6-C63/3	242955	-	-	-	

Explanation PLS6, PLZ6 P=xPole, LS, LZ=MCB, 6=6kA

Miniature Circuit Breakers PLS6, PLZ6

Miniature Circuit Breakers PLS6/PLZ6, 6kA

Rated Current, In	Designation & Code		Designation & Code		Designation & Code		Units/Pack
Type	Characteristic B		Characteristic C		Characteristic D		
3+N-pole							
6A	PLS6-B6/3N	242986	PLS6-C6/3N	243012	PLS6-D6/3N	243035	3/30
8A	PLS6-B8/3N	242987	PLS6-C8/3N	243013	PLS6-D8/3N	243036	3/30
10A	PLS6-B10/3N	242988	PLS6-C10/3N	243014	PLS6-D10/3N	243037	3/30
13A	PLS6-B13/3N	242990	PLS6-C13/3N	242016	PLS6-D13/3N	243039	3/30
16A	PLS6-B16/3N	242992	PLS6-C16/3N	242018	PLS6-D16/3N	243041	3/30
20A	PLS6-B20/3N	242993	PLS6-C20/3N	242019	PLS6-D20/3N	243042	3/30
25A	PLS6-B25/3N	242994	PLS6-C25/3N	242020	PLS6-D25/3N	243043	3/30
32A	PLS6-B32/3N	242995	PLS6-C32/3N	242021	PLS6-D32/3N	243044	3/30
40A	PLS6-B40/3N	242996	PLS6-C40/3N	242022	PLS6-D40/3N	243045	3/30
50A	PLS6-B50/3N	242997	PLS6-C50/3N	242023	-	-	-
63A	PLS6-B63/3N	242998	PLS6-C63/3N	242024	-	-	-
4-pole							
6A	PLS6-B6/4	243055	PLS6-C6/4	243081	PLS6-D6/4	243104	3/30
8A	PLS6-B8/4	243056	PLS6-C8/4	243082	PLS6-D8/4	243105	3/30
10A	PLS6-B10/4	243057	PLS6-C10/4	243083	PLS6-D10/4	243106	3/30
13A	PLS6-B13/4	243059	PLS6-C13/4	243085	PLS6-D13/4	243108	3/30
16A	PLS6-B16/4	243061	PLS6-C16/4	243087	PLS6-D16/4	243110	3/30
20A	PLS6-B20/4	243062	PLS6-C20/4	243088	PLS6-D20/4	243111	3/30
25A	PLS6-B25/4	243063	PLS6-C25/4	243089	PLS6-D25/4	243112	3/30
32A	PLS6-B32/4	243064	PLS6-C32/4	243090	PLS6-D32/4	243113	3/30
40A	PLS6-B40/4	243065	PLS6-C40/4	243091	PLS6-D40/4	243114	3/30
50A	PLS6-B50/4	243066	PLS6-C50/4	243092	-	-	-
63A	PLS6-B63/4	243067	PLS6-C63/4	243093	-	-	-

Explanation PLS6, PLZ6

P=xPole, LS, LZ=MCB, 6=6kA

Miniature Circuit Breakers PLSM, PLZM

- High-quality miniature circuit breakers for commercial and residential applications;
- Contact position indicator red and green;
- Guide for secure terminal connection;
- 3-position DIN rail clip, permits removal from existing busbar system;
- Comprehensive range of accessories suitable for subsequent installation;
- Rated breaking capacity 10kA according to IEC/EN 60898-1;

Miniature Circuit Breakers PLSM/PLZM, 10kA

Rated Current, In	Designation & Code		Designation & Code		Designation & Code		Units/Pack
Type	Characteristic B		Characteristic C		Characteristic D		
1-pole							
6	PLSM-B6	242174	PLSM-C6	242200	PLSM-D6	242223	12/120
8	PLSM-B8	242175	PLSM-C8	242201	PLSM-D8	242224	12/120
10	PLSM-B10	242176	PLSM-C10	242202	PLSM-D10	242225	12/120
13	PLSM-B13	242178	PLSM-C13	242204	PLSM-D13	242227	12/120
16	PLSM-B16	242180	PLSM-C16	242206	PLSM-D16	242229	12/120
20	PLSM-B20	242181	PLSM-C20	242207	PLSM-D20	242230	12/120
25	PLSM-B25	242182	PLSM-C25	242208	PLSM-D25	242231	12/120
32	PLSM-B32	242183	PLSM-C32	242209	PLSM-D32	242232	12/120
40	PLSM-B40	242184	PLSM-C40	242210	PLSM-D40	242233	12/120
50	PLSM-B50	242185	PLSM-C50	242211	-	-	-
63	PLSM-B63	242186	PLSM-C63	242212	-	-	-
1+N-pole, 2MU							
6	PLZM-B6/1N	242304	PLZM-C6/1N	242330	PLZM-D6/1N	242353	6/60
8	PLZM-B8/1N	242305	PLZM-C8/1N	242331	PLZM-D8/1N	242354	6/60
10	PLZM-B10/1N	242306	PLZM-C10/1N	242332	PLZM-D10/1N	242355	6/60
13	PLZM-B13/1N	242308	PLZM-C13/1N	242334	PLZM-D13/1N	242357	6/60

Explanation PLSM, PLZM

P=xPole, LS, LZ=MCB, M=10kA

www.teatonelec.com

Miniature Circuit Breakers PLSM, PLZM

Miniature Circuit Breakers PLSM/PLZM, 10kA

Rated Current, In Designation & Code		Designation & Code		Designation & Code		Units/Pack
Type	Characteristic B	Characteristic C	Characteristic D			
16	PLZM-B16/1N 242310	PLZM-C16/1N 242336	PLZM-D16/1N 242359			6/60
20	PLZM-B20/1N 242311	PLZM-C20/1N 242337	PLZM-D20/1N 242360			6/60
25	PLZM-B25/1N 242312	PLZM-C25/1N 242338	PLZM-D25/1N 242361			6/60
32	PLZM-B32/1N 242313	PLZM-C32/1N 242339	PLZM-D32/1N 242362			6/60
40	PLZM-B40/1N 242314	PLZM-C40/1N 242340	PLZM-D40/1N 242363			6/60
50	PLZM-B50/1N 242315	PLZM-C50/1N 242341	-			-
63	PLZM-B63/1N 242316	PLZM-C63/1N 242342	-			-
2-pole						
6	PLSM-B6/2 242373	PLSM-C6/2 242399	PLSM-D6/2 242422			6/60
8	PLSM-B8/2 242374	PLSM-C8/2 242400	PLSM-D8/2 242423			6/60
10	PLSM-B10/2 242375	PLSM-C10/2 242401	PLSM-D10/2 242424			6/60
13	PLSM-B13/2 242377	PLSM-C13/2 242403	PLSM-D13/2 242426			6/60
16	PLSM-B16/2 242379	PLSM-C16/2 242405	PLSM-D16/2 242428			6/60
20	PLSM-B20/2 242380	PLSM-C20/2 242406	PLSM-D20/2 242429			6/60
25	PLSM-B25/2 242381	PLSM-C25/2 242407	PLSM-D25/2 242430			6/60
32	PLSM-B32/2 242382	PLSM-C32/2 242408	PLSM-D32/2 242431			6/60
40	PLSM-B40/2 242383	PLSM-C40/2 242409	PLSM-D40/2 242432			6/60
50	PLSM-B50/2 242384	PLSM-C50/2 242410	-			-
63	PLSM-B63/2 242385	PLSM-C63/2 242411	-			-
3-pole						
6	PLSM-B6/3 242442	PLSM-C6/3 242468	PLSM-D6/3 242491			4/40
8	PLSM-B8/3 242443	PLSM-C8/3 242469	PLSM-D8/3 242492			4/40
10	PLSM-B10/3 242444	PLSM-C10/3 242470	PLSM-D10/3 242493			4/40
13	PLSM-B13/3 242446	PLSM-C13/3 242472	PLSM-D13/3 242495			4/40
16	PLSM-B16/3 242448	PLSM-C16/3 242474	PLSM-D16/3 242497			4/40
20	PLSM-B20/3 242449	PLSM-C20/3 242475	PLSM-D20/3 242498			4/40
25	PLSM-B25/3 242450	PLSM-C25/3 242476	PLSM-D25/3 242499			4/40
32	PLSM-B32/3 242451	PLSM-C32/3 242477	PLSM-D32/3 242500			4/40
40	PLSM-B40/3 242452	PLSM-C40/3 242478	PLSM-D40/3 242501			4/40
50	PLSM-B50/3 242453	PLSM-C50/3 242479	-			-
63	PLSM-B63/3 242454	PLSM-C63/3 242480	-			-
3+N-pole						
6	PLSM-B6/3N 242511	PLSM-C6/3N 242537	PLSM-D6/3N 242560			4/40
8	PLSM-B8/3N 242512	PLSM-C8/3N 242538	PLSM-D8/3N 242561			4/40
10	PLSM-B10/3N 242513	PLSM-C10/3N 242539	PLSM-D10/3N 242562			4/40
13	PLSM-B13/3N 242515	PLSM-C13/3N 242541	PLSM-D13/3N 242564			4/40
16	PLSM-B16/3N 242517	PLSM-C16/3N 242543	PLSM-D16/3N 242566			4/40
20	PLSM-B20/3N 242518	PLSM-C20/3N 242544	PLSM-D20/3N 242567			4/40
25	PLSM-B25/3N 242519	PLSM-C25/3N 242545	PLSM-D25/3N 242568			4/40
32	PLSM-B32/3N 242520	PLSM-C32/3N 242546	PLSM-D32/3N 242569			4/40
40	PLSM-B40/3N 242521	PLSM-C40/3N 242547	PLSM-D40/3N 242570			3/30
50	PLSM-B50/3N 242522	PLSM-C50/3N 242548	-			-
63	PLSM-B63/3N 242523	PLSM-C63/3N 242549	-			-
4-pole						
6	PLSM-B6/4 242580	PLSM-C6/4 242606	PLSM-D6/4 242629			3/30
8	PLSM-B8/4 242581	PLSM-C8/4 242607	PLSM-D8/4 242630			3/30
10	PLSM-B10/4 242582	PLSM-C10/4 242608	PLSM-D10/4 242631			3/30
13	PLSM-B13/4 242584	PLSM-C13/4 242610	PLSM-D13/4 242633			3/30
16	PLSM-B16/4 242586	PLSM-C16/4 242612	PLSM-D16/4 242635			3/30
20	PLSM-B20/4 242587	PLSM-C20/4 242613	PLSM-D20/4 242636			3/30
25	PLSM-B25/4 242588	PLSM-C25/4 242614	PLSM-D25/4 242637			3/30
32	PLSM-B32/4 242589	PLSM-C32/4 242615	PLSM-D32/4 242638			3/30
40	PLSM-B40/4 242590	PLSM-C40/4 242616	PLSM-D40/4 242639			3/30
50	PLSM-B50/4 242591	PLSM-C50/4 242617	-			-
63	PLSM-B63/4 242592	PLSM-C63/4 242618	-			-

Explanation PLSM, PLZM

P=xPole, LS, LZ=MCB, M=10kA

Miniature Circuit Breakers PLHT

- High-quality miniature circuit breakers for commercial and residential applications;
- Contact position indicator red and green;
- Accessories suitable for subsequent installation;
- Rated currents up to 125A, B, C and D characteristics;
- Rated breaking capacity up to 25kA according to EN/IEC 60947-2;

Miniature Circuit Breakers PLHT				MW
Rated Current, In	Type Designation	Article Number	Units/Pack	
Characteristic B				
1-pole				
80A	PLHT-B80	247978	12/120	
100A	PLHT-B100	247979	12/120	
125A	PLHT-B125	247980	12/120	
2-pole				
80A	PLHT-B80/2	248004	6/60	
100A	PLHT-B100/2	248005	6/60	
125A	PLHT-B125/2	248006	6/60	
3-pole				
80A	PLHT-B80/3	248030	4/40	
100A	PLHT-B100/3	248031	4/40	
125A	PLHT-B125/3	248032	4/40	
4-pole				
80A	PLHT-B80/4	248042	3/30	
100A	PLHT-B100/4	248043	3/30	
125A	PLHT-B125/4	248044	3/30	
Characteristic C				
1-pole				
80A	PLHT-C80	247987	12/120	
100A	PLHT-C100	247988	12/120	
125A	PLHT-C125	247989	12/120	
2-pole				
80A	PLHT-C80/2	248013	6/60	
100A	PLHT-C100/2	248014	6/60	
125A	PLHT-C125/2	248015	6/60	
3-pole				
80A	PLHT-C80/3	248039	4/40	
100A	PLHT-C100/3	248040	4/40	
125A	PLHT-C125/3	248041	4/40	
4-pole				
80A	PLHT-C80/4	248091	3/30	
100A	PLHT-C100/4	248092	3/30	
125A	PLHT-C125/4	248093	3/30	
Characteristic D				
1-pole				
80A	PLHT-D80	247996	12/120	
100A	PLHT-D100	247997	12/120	
2-pole				
80A	PLHT-D80/2	248022	6/60	
100A	PLHT-D100/2	248023	6/60	
3-pole				
80A	PLHT-D80/3	248048	4/40	
100A	PLHT-D100/3	248049	4/40	
4-pole				
80A	PLHT-D80/4	248100	3/30	
125A	PLHT-D125/4	248101	3/30	

Explanation PLHT

P=xPole, LH=High-quality MCB, T=Ultimate short circuit breaking capacity 10, 15, 25kA

www.teatonelec.com

MCBs DX-E 6000 -6kA

thermal magnetic MCBs from 6A to 63A



Conform to IEC60898-1;

Breaking Capacity: 6000-IEC60898-1, 400VAC; 6kA-IEC60947-2, 400VAC;

Do not accept add-on modules;

MCBs DX-E 6000 -6kA, B Curve

Modules Nominal Rating, In Category Number Quantity/Pack

Single Pole 230/400VAC

6	0 032 66	12/120
10	0 032 68	12/120
13	0 032 69	12/120
16	0 032 70	12/120
20	0 032 71	12/120
25	0 032 72	12/120
32	0 032 73	12/120
40	0 032 74	12/120
50	0 032 75	12/120
63	0 032 76	12/120

2-Pole 230/400VAC

6	0 033 08	6/60
10	0 033 10	6/60
13	0 033 11	6/60
16	0 033 12	6/60
20	0 033 13	6/60
25	0 033 14	6/60
32	0 033 15	6/60
40	0 033 16	6/60
50	0 033 17	6/60
63	0 033 18	6/60

3-Pole 230/400VAC

6	0 033 22	4/40
10	0 033 24	4/40
13	0 033 25	4/40
16	0 033 26	4/40
20	0 033 27	4/40
25	0 033 28	4/40
32	0 033 29	4/40
40	0 033 30	4/40
50	0 033 31	4/40
63	0 033 32	4/40

4-Pole 230/400VAC

6	0 033 68	3/30
10	0 033 70	3/30
13	0 033 71	3/30
16	0 033 72	3/30
20	0 033 73	3/30
25	0 033 74	3/30
32	0 033 75	3/30
40	0 033 76	3/30
50	0 033 77	3/30
63	0 033 78	3/30

MCBs DX-E 6000 -6kA, C Curve

Modules Nominal Rating, In Category Number Quantity/Pack

Single Pole 230/400VAC

6	0 033 82	12/120
10	0 033 84	12/120
13	0 033 85	12/120
16	0 033 86	12/120
20	0 033 87	12/120
25	0 033 88	12/120
32	0 033 89	12/120
40	0 033 90	12/120
50	0 033 91	12/120
63	0 033 92	12/120

2-Pole 230/400VAC

6	0 034 29	6/60
10	0 034 31	6/60
13	0 034 32	6/60
16	0 034 33	6/60
20	0 034 34	6/60
25	0 034 35	6/60
32	0 034 36	6/60
40	0 034 37	6/60
50	0 034 38	6/60
63	0 034 39	6/60

3-Pole 230/400VAC

6	0 034 47	4/40
10	0 034 49	4/40
13	0 034 50	4/40
16	0 034 51	4/40
20	0 034 52	4/40
25	0 034 53	4/40
32	0 034 54	4/40
40	0 034 55	4/40
50	0 034 56	4/40
63	0 034 57	4/40

4-Pole 230/400VAC

6	0 034 89	3/30
10	0 034 91	3/30
13	0 034 92	3/30
16	0 034 93	3/30
20	0 034 94	3/30
25	0 034 95	3/30
32	0 034 96	3/30
40	0 034 97	3/30
50	0 034 98	3/30
63	0 034 99	3/30

MCBs DX³, 6000

thermal magnetic MCBs from 6A to 63A



Conform to IEC60898-1;

Breaking Capacity: 6000-IEC60898-1, 400VAC; 6kA-IEC60947-2, 400VAC;

Do not accept add-on modules;

MCBs DX³, 6000, B Curve

Modules	Nominal Rating, In	Category Number	Quantity/Pack
Single Pole 230/400VAC			
6		4 074 29	12/120
10		4 074 30	12/120
16		4 074 32	12/120
20		4 074 33	12/120
25		4 074 34	12/120
32		4 074 35	12/120
40		4 074 36	12/120
50		4 074 37	12/120
63		4 074 38	12/120
2-Pole 230/400VAC			
6		4 075 06	6/60
10		4 075 07	6/60
16		4 075 09	6/60
20		4 075 10	6/60
25		4 075 11	6/60
32		4 075 12	6/60
40		4 075 13	6/60
50		4 075 14	6/60
63		4 075 15	6/60
3-Pole 230/400VAC			
6		4 075 58	4/40
10		4 075 59	4/40
16		4 075 61	4/40
20		4 075 62	4/40
25		4 075 63	4/40
32		4 075 64	4/40
40		4 075 65	4/40
50		4 075 66	4/40
63		4 075 67	4/40
4-Pole 230/400VAC			
6		4 076 21	3/30
10		4 076 22	3/30
16		4 076 24	3/30
20		4 076 25	3/30
25		4 076 26	3/30
32		4 076 27	3/30
40		4 076 28	3/30
50		4 076 29	3/30
63		4 076 30	3/30

MCBs DX³, 6000, C Curve

Modules	Nominal Rating, In	Category Number	Quantity/Pack
Single Pole 230/400VAC			
6		4 076 66	12/120
10		4 076 68	12/120
16		4 076 70	12/120
20		4 076 71	12/120
25		4 076 72	12/120
32		4 076 73	12/120
40		4 076 74	12/120
50		4 076 75	12/120
63		4 076 76	12/120
2-Pole 230/400VAC			
6		4 077 96	6/60
10		4 077 98	6/60
16		4 078 00	6/60
20		4 078 01	6/60
25		4 078 02	6/60
32		4 078 03	6/60
40		4 078 04	6/60
50		4 078 05	6/60
63		4 078 06	6/60
3-Pole 230/400VAC			
6		4 078 55	4/40
10		4 078 57	4/40
16		4 078 59	4/40
20		4 078 60	4/40
25		4 078 61	4/40
32		4 078 62	4/40
40		4 078 63	4/40
50		4 078 64	4/40
63		4 078 65	4/40
4-Pole 230/400VAC			
6		4 079 24	3/30
10		4 079 26	3/30
16		4 079 28	3/30
20		4 079 29	3/30
25		4 079 30	3/30
32		4 079 31	3/30
40		4 079 32	3/30
50		4 079 33	3/30
63		4 079 34	3/30

MCBs RX³, 6000

thermal magnetic MCBs from 6A to 63A



Conform to IEC60898-1;

Breaking Capacity: 6000-IEC60898-1, 400VAC; 6kA-IEC60947-2, 400VAC;

Do not accept add-on modules;

MCBs RX³, 6000, B Curve

Modules Nominal Rating, In Category Number Quantity/Pack

Single Pole 230/400VAC

6	4 022 70	12/120
10	4 022 71	12/120
13	-	-
16	4 022 72	12/120
20	4 022 73	12/120
25	4 022 74	12/120
32	4 022 75	12/120
40	4 022 76	12/120
50	4 022 77	12/120
63	4 022 78	12/120

2-Pole 230/400VAC

6	4 022 80	6/60
10	4 022 81	6/60
13	-	-
16	4 022 82	6/60
20	4 022 83	6/60
25	4 022 84	6/60
32	4 022 85	6/60
40	4 022 86	6/60
50	4 022 87	6/60
63	4 022 88	6/60

3-Pole 230/400VAC

6	4 022 90	4/40
10	4 022 91	4/40
13	-	-
16	4 022 92	4/40
20	4 022 93	4/40
25	4 022 94	4/40
32	4 022 95	4/40
40	4 022 96	4/40
50	4 022 97	4/40
63	4 022 98	4/40

4-Pole 230/400VAC

6	4 023 00	3/30
10	4 023 01	3/30
13	-	-
16	4 023 02	3/30
20	4 023 03	3/30
25	4 023 04	3/30
32	4 023 05	3/30
40	4 023 06	3/30
50	4 023 07	3/30
63	4 023 08	3/30

MCBs RX³, 6000, C Curve

Modules Nominal Rating, In Category Number Quantity/Pack

Single Pole 230/400VAC

6	4 023 10	12/120
10	4 023 11	12/120
13	4 023 12	12/120
16	4 023 13	12/120
20	4 023 14	12/120
25	4 023 15	12/120
32	4 023 16	12/120
40	4 023 17	12/120
50	4 023 18	12/120
63	4 023 19	12/120

2-Pole 230/400VAC

6	4 023 21	6/60
10	4 023 22	6/60
13	4 023 23	6/60
16	4 023 24	6/60
20	4 023 25	6/60
25	4 023 26	6/60
32	4 023 27	6/60
40	4 023 28	6/60
50	4 023 29	6/60
63	4 023 30	6/60

3-Pole 230/400VAC

6	4 023 32	4/40
10	4 023 33	4/40
13	4 023 34	4/40
16	4 023 35	4/40
20	4 023 36	4/40
25	4 023 37	4/40
32	4 023 38	4/40
40	4 023 39	4/40
50	4 023 40	4/40
63	4 023 41	4/40

4-Pole 230/400VAC

6	4 023 43	3/30
10	4 023 44	3/30
13	4 023 45	3/30
16	4 023 46	3/30
20	4 023 47	3/30
25	4 023 48	3/30
32	4 023 49	3/30
40	4 023 50	3/30
50	4 023 51	3/30
63	4 023 52	3/30

MCBs TX³, 6000

thermal magnetic MCBs from 6A to 63A, C curve



Conform to IEC 60898-1;
 Compatible with prong-type supply busbars:
 Breaking capacity: 6000-IEC 60898-1, 6kA-IEC 60947-2;
 Can be equipped with DX3 signalling and remote tripping auxiliaries;

Modules	Nominal Rating, In	Category Number	Quantity/Pack
Single Pole 230/400VAC			
6		4 035 74	12/120
10		4 035 75	12/120
16		4 035 76	12/120
20		4 035 77	12/120
25		4 035 78	12/120
32		4 035 79	12/120
40		4 035 80	12/120
50		4 035 81	12/120
63		4 035 82	12/120
2-Pole 230/400VAC			
6		4 036 04	6/60
10		4 036 05	6/60
16		4 036 06	6/60
20		4 036 07	6/60
25		4 036 08	6/60
32		4 036 09	6/60
40		4 036 10	6/60
50		4 036 11	6/60
63		4 036 12	6/60
3-Pole 230/400VAC			
6		4 036 14	4/40
10		4 036 15	4/40
16		4 036 16	4/40
20		4 036 17	4/40
25		4 036 18	4/40
32		4 036 19	4/40
40		4 036 20	4/40
50		4 036 21	4/40
63		4 036 22	4/40
4-Pole 230/400VAC			
6		4 036 24	3/30
10		4 036 25	3/30
16		4 036 26	3/30
20		4 036 27	3/30
25		4 036 28	3/30
32		4 036 29	3/30
40		4 036 30	3/30
50		4 036 31	3/30
63		4 036 32	3/30

RCCBs TX3-Residual Current Circuit Breakers

from 25A to 63A, AC and A types

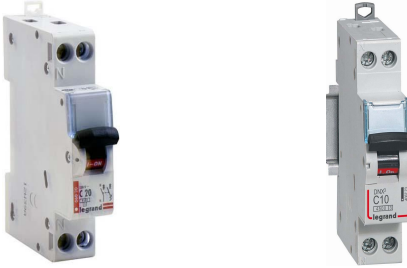


Conform to IEC61008-1;
 Compatible with prong-type supply busbars:
 •AC type: detect AC component faults;
 •A type: detect AC and DC component faults;
 Do not accept add-on modules;

Modules	In, A	Sensitivity, mA	Category Number	Quantity/Pack
2-pole 230VAC, AC Type				
25	30		4 030 00	1/60
40	30		4 030 01	1/60
63	30		4 030 02	1/60
25	300		4 030 38	1/60
40	300		4 030 39	1/60
63	300		4 030 40	1/60
2-pole 230VAC, A Type				
25	30		4 030 35	1/60
40	30		4 030 36	1/60
4-pole 400VAC, AC Type, Neutral on Left-Hand Side				
25	30		4 030 04	1/30
40	30		4 030 05	1/30
63	30		4 030 06	1/30
4-pole 400VAC, AC Type, Neutral on Right-Hand Side				
25	30		4 030 08	1/30
40	30		4 030 09	1/30
63	30		4 030 10	1/30
25	300		4 030 42	1/30
40	300		4 030 43	1/30
63	300		4 030 44	1/30

MCBs DNX and DNX³, 3000

thermal magnetic MCBs from 6A to 32A, C curve



Conform to IEC 60898-1;
Compatible with prong-type supply busbars:
Breaking capacity: 3000-IEC 60898-1, 230VAC;
Do not accept auxiliaries, and RCD add-on modules

Modules	Nominal Rating, In	Category Number	Quantity/Pack
Single Pole + N, 230VAC, Neutral on Left-Hand Side			
6		4 194 96	12/120
10		4 194 97	12/120
16		4 194 99	12/120
20		4 195 00	12/120
25		4 195 01	12/120
32		4 195 02	12/120

Pulse Operated Latching Relays CX³

Conform to standard EN 60669-2-2;
Maximum 2 auxiliary devices per latching relay



Single Pole, 16A, 250VAC

Cat. Nos	Control Voltage	Type of Contact	Quantity/Pack
4 124 04	12V	1 N/O	12/120
4 124 05	24V	1 N/O	12/120
4 124 08	230V	1 N/O	12/120

2-Pole, 16A, 250VAC

4 124 10	24V	2 N/O	12/120
4 124 11	48V	2 N/O	12/120
4 124 12	230V	2 N/O	12/120

RCCBs RX³-Residual Current Circuit Breakers

from 25A to 63A, AC and A types



Conform to IEC61008-1;
Compatible with prong-type supply busbars:
●AC type: detect AC component faults;
●A type: detect AC and DC component faults;
Do not accept add-on modules;

Modules	In, A	Sensitivity, mA	Category Number	Quantity/Pack
2-pole 230VAC, AC Type				
25	30		4 020 24	1/60
40	30		4 020 25	1/60
63	30		4 020 26	1/60
80	30		4 020 27	1/60
25	100		4 020 28	1/60
40	100		4 020 29	1/60
63	100		4 020 30	1/60
25	300		4 020 32	1/60
40	300		4 020 33	1/60
63	300		4 020 34	1/60

2-pole 230VAC, A Type

25	30		4 020 36	1/60
40	30		4 020 37	1/60
63	30		4 020 38	1/60

4-pole 400VAC, AC Type, Neutral on Right-Hand Side

25	30		4 020 62	1/30
40	30		4 020 63	1/30
63	30		4 020 64	1/30
25	100		4 020 66	1/30
40	100		4 020 67	1/30
63	100		4 020 68	1/30
25	300		4 020 70	1/30
40	300		4 020 71	1/30
63	300		4 020 72	1/30

4-pole 400VAC, A Type, Neutral on Right-Hand Side




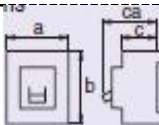
25	30		4 020 74	1/30
40	30		4 020 75	1/30
63	30		4 020 76	1/30

Miniature Circuit Breakers, BH-D6 and BH-DN

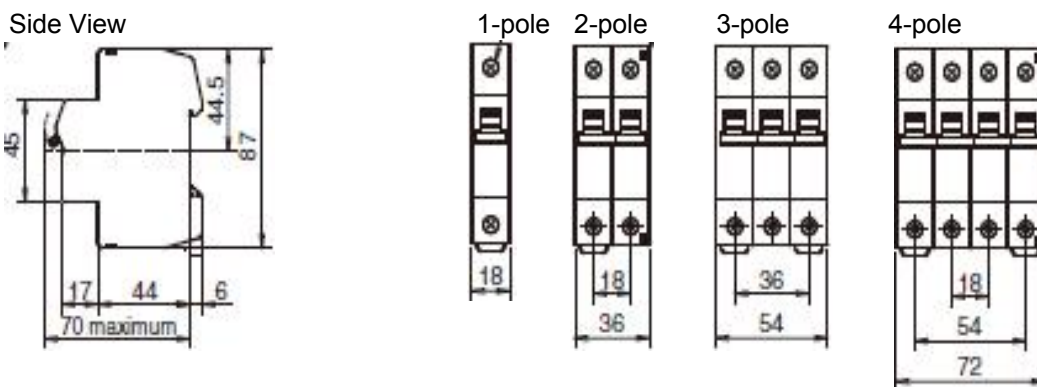
Features:

1. All models fully comply with IEC regulations
2. Units can be mounted on a standard 35mm IEC rail
3. High current-limiting performance
4. Compliance with IP2X protecting rating
5. All models are compatible with reverse connection


Technical Data of BH-D6

		Type	BH-D6					
		Number of Poles	1	2	3	4		
		Instantaneous Tripping	Type B, C, D					
		Type of Overcurrent Release	Thermal-magnetic					
		Rated Insulation Voltage, Ui	440V					
		Rated Current In, A	6A, 10A, 16A, 20A, 25A, 32A, 40A, 50A, 63A					
		Rated Short-circuit Capacity	IEC60898-1, Icn, AC	230 6kA	-	-	-	
			400	-	6kA	6kA	6kA	
		Number of Operating Cycles	Without Current	8,000				
			With Current	8,000				
		Dimensions, mm		a	18	36	54	72
			b	87				
			c	44				
			ca	70				
			Mounting	IEC35mm Rail				
		Applicable Wire Size	1-25mm ²					
		Terminal Connection	Solderless					
		Weight	g	135	270	405	540	
		Accessories, Optional	Alarm Switch, AL	○				
			Auxiliary Switch, AX	○				
			Shunt Trip, SHT	○				

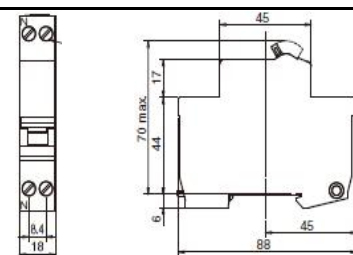
Outer Dimensions of BH-D6



Technical Data of BH-DN

		Type	BH-DN
		Number of Poles	2 (1+N)
		Instantaneous Tripping	Type C
		Type of Overcurrent Release	Thermal-magnetic
		Rated Insulation Voltage, Ui	230V
		Rated Current In, A	6A, 10A, 16A, 20A
		Rated Short-circuit Capacity, IEC60898-1, Icn	230AC 4.5kA






Outer Dimensions of BH-DN



Miniature Circuit Breakers MT60

MT60 Miniature Circuit Breakers meet any requirements for protection against overcurrent and short circuit for all domestic commercial and industrial application.

Selection Table of MT60 Miniature Circuit Breakers

	In	Designation & Code		Designation & Code		Designation & Code		Units/Pack
	Type	Characteristic B		Characteristic C		Characteristic D		
 GW 92 006	1-pole							
	6A	MT60-B6	GW 92 205	MT60-C6	GW 92 005	MT60-D6	GW 92 405	12/120
	10A	MT60-B10	GW 92 206	MT60-C10	GW 92 006	MT60-D10	GW 92 406	12/120
	16A	MT60-B16	GW 92 207	MT60-C16	GW 92 007	MT60-D16	GW 92 407	12/120
	20A	MT60-B20	GW 92 208	MT60-C20	GW 92 008	MT60-D20	GW 92 408	12/120
	25A	MT60-B25	GW 92 209	MT60-C25	GW 92 009	MT60-D25	GW 92 409	12/120
	32A	MT60-B32	GW 92 210	MT60-C32	GW 92 010	MT60-D32	GW 92 410	12/120
	40A	MT60-B40	GW 92 211	MT60-C40	GW 92 011	MT60-D40	GW 92 411	12/120
	50A	MT60-B50	GW 92 212	MT60-C50	GW 92 012	-	-	-
	63A	MT60-B63	GW 92 213	MT60-C63	GW 92 013	-	-	-
 GW 92 027	1-pole+N							
	6A	-	-	MT60-C6/N	GW 92 025	-	-	6/60
	10A	-	-	MT60-C10/N	GW 92 026	-	-	6/60
	16A	-	-	MT60-C16/N	GW 92 027	-	-	6/60
	20A	-	-	MT60-C20/N	GW 92 028	-	-	6/60
	25A	-	-	MT60-C25/N	GW 92 029	-	-	6/60
	32A	-	-	MT60-C32/N	GW 92 030	-	-	6/60
	40A	-	-	MT60-C40/N	GW 92 031	-	-	6/60
	50A	-	-	MT60-C50/N	GW 92 032	-	-	6/60
	63A	-	-	MT60-C63/N	GW 92 033	-	-	6/60
 GW 92 046	2-pole							
	6A	MT60-B6/2	GW 92 245	MT60-C6/2	GW 92 045	MT60-D6/2	GW 92 445	6/60
	10A	MT60-B10/2	GW 92 246	MT60-C10/2	GW 92 046	MT60-D10/2	GW 92 446	6/60
	16A	MT60-B16/2	GW 92 247	MT60-C16/2	GW 92 047	MT60-D16/2	GW 92 447	6/60
	20A	MT60-B20/2	GW 92 248	MT60-C20/2	GW 92 048	MT60-D20/2	GW 92 448	6/60
	25A	MT60-B25/2	GW 92 249	MT60-C25/2	GW 92 049	MT60-D25/2	GW 92 449	6/60
	32A	MT60-B32/2	GW 92 250	MT60-C32/2	GW 92 050	MT60-D32/2	GW 92 450	6/60
	40A	MT60-B40/2	GW 92 251	MT60-C40/2	GW 92 051	MT60-D40/2	GW 92 451	6/60
	50A	MT60-B50/2	GW 92 252	MT60-C50/2	GW 92 052	-	-	-
	63A	MT60-B63/2	GW 92 253	MT60-C63/2	GW 92 053	-	-	-
 GW 92 067	3-pole							
	6A	MT60-B6/3	GW 92 265	MT60-C6/3	GW 92 065	MT60-D6/3	GW 92 465	4/40
	10A	MT60-B10/3	GW 92 266	MT60-C10/3	GW 92 066	MT60-D10/3	GW 92 466	4/40
	16A	MT60-B16/3	GW 92 267	MT60-C16/3	GW 92 067	MT60-D16/3	GW 92 467	4/40
	20A	MT60-B20/3	GW 92 268	MT60-C20/3	GW 92 068	MT60-D20/3	GW 92 468	4/40
	25A	MT60-B25/3	GW 92 269	MT60-C25/3	GW 92 069	MT60-D25/3	GW 92 469	4/40
	32A	MT60-B32/3	GW 92 270	MT60-C32/3	GW 92 070	MT60-D32/3	GW 92 470	4/40
	40A	MT60-B40/3	GW 92 271	MT60-C40/3	GW 92 071	MT60-D40/3	GW 92 471	4/40
	50A	MT60-B50/3	GW 92 272	MT60-C50/3	GW 92 072	-	-	-
	63A	MT60-B63/3	GW 92 273	MT60-C63/3	GW 92 073	-	-	-
 GW 92 090	4-pole							
	6A	MT60-B6/4	GW 92 285	MT60-C6/4	GW 92 085	MT60-D6/4	GW 92 485	4/40
	10A	MT60-B10/4	GW 92 286	MT60-C10/4	GW 92 086	MT60-D10/4	GW 92 486	4/40
	16A	MT60-B16/4	GW 92 287	MT60-C16/4	GW 92 087	MT60-D16/4	GW 92 487	4/40
	20A	MT60-B20/4	GW 92 288	MT60-C20/4	GW 92 088	MT60-D20/4	GW 92 488	4/40
	25A	MT60-B25/4	GW 92 289	MT60-C25/4	GW 92 089	MT60-D25/4	GW 92 489	4/40
	32A	MT60-B32/4	GW 92 290	MT60-C32/4	GW 92 090	MT60-D32/4	GW 92 490	4/40
	40A	MT60-B40/4	GW 92 291	MT60-C40/4	GW 92 091	MT60-D40/4	GW 92 491	4/40
	50A	MT60-B50/4	GW 92 292	MT60-C50/4	GW 92 092	-	-	-
	63A	MT60-B63/4	GW 92 293	MT60-C63/4	GW 92 093	-	-	-

Main Load Disconnecter Switch (Isolator), IS

- Load circuit breaker with isolating function
- Design according to IEC/EN60947-3
- Highly wear resistant contacts
- Quick make, black toggle
- Terminal capacity 50mm²
- Compatible busbars with switchgear series xPoles by use of the mouth terminal in combination with standard fork busbar






Connection diagram



Technical Data

Disconnecter Switch	IS-16	IS-20	IS-25	IS-32	IS-40	IS-63	IS-80	IS-100	IS-125
Mounting	Quick-fastening with 2 lock-in positions on DIN rail, IEC/60715								
Degree of protection, built-in	IP40								
Terminal protection	Finger and hand touch safe according to BGV A3								
Terminals	Twin-purpose terminals								
Terminal capacity	2.5 to 50mm ²								
Busbar thickness	0.8 to 1.0mm								
Fastening torque of screws	2.5 to 5.0Nm								
Function	Irrespective of the position of installation								
Design according to	IEC/EN 60947-3								
Rated voltage	240/450VAC								
Frequency	50/60Hz								
Number of poles	1, 2, 3, 4-pole								
Rated current, 240/415V, AC23A	16A	20A	25A	32A	40A	63A	80A	100A	125A
Rated insulation voltage, U _i	690V								
Rated peak withstand voltage, U _{imp}	6kV								
Rated short-time withstand current, I _{cw}	2kA								
Rated short-time making capacity, I _{cm}	2.8kA								

Selection Table

	Rated Current, I _n	Poles	Type Designation	Article Number	Units/Pack
	16A	1	IS-16/1	276254	12/120
		2	IS-16/2	276255	6/60
		3	IS-16/3	276256	4/40
		4	IS-16/4	276257	3/30
	20A	1	IS-20/1	276258	12/120
		2	IS-20/2	276259	6/60
		3	IS-20/3	276260	4/40
		4	IS-20/4	276261	3/30
	25A	1	IS-25/1	276262	12/120
		2	IS-25/2	276263	6/60
		3	IS-25/3	276264	4/40
		4	IS-25/4	276265	3/30
	32A	1	IS-32/1	276266	12/120
		2	IS-32/2	276267	6/60
		3	IS-32/3	276268	4/40
		4	IS-32/4	276269	3/30
	40A	1	IS-40/1	276270	12/120
		2	IS-40/2	276271	6/60
		3	IS-40/3	276272	4/40
		4	IS-40/4	276273	3/30
	63A	1	IS-63/1	276274	12/120
		2	IS-63/2	276275	6/60
		3	IS-63/3	276276	4/40
		4	IS-63/4	276277	3/30
	80A	1	IS-80/1	276278	12/120
		2	IS-80/2	276279	6/60
		3	IS-80/3	276280	4/40
		4	IS-80/4	276281	3/30
	100A	1	IS-100/1	276282	12/120
		2	IS-100/2	276283	6/60
		3	IS-100/3	276284	4/40
		4	IS-100/4	276285	3/30
	125A	1	IS-125/1	276286	12/120
		2	IS-125/2	276287	6/60
		3	IS-125/3	276288	4/40
		4	IS-125/4	276289	3/30

Isolating Switches DX³-IS

from 16A to 125A



AC 22 A according to IEC 60947-3;

Double breaking contacts;

Can be equipped with 1 DX³ signalling auxiliary;

Modules	In, A	Category Number	Quantity/Pack
1-pole 250VAC			
16		4 064 00	12/120
20		4 064 01	12/120
32		4 064 03	12/120
40		4 064 11	12/120
63		4 064 12	12/120
100		4 064 23	12/120
2-pole 400VAC			
16		4 064 31	6/60
20		4 064 32	6/60
32		4 064 33	6/60
40		4 064 40	6/60
63		4 064 41	6/60
100		4 064 49	6/60
125		4 064 50	6/60
3-pole 400VAC			
20		4 064 57	4/40
32		4 064 59	4/40
40		4 064 60	4/40
63		4 064 61	4/40
100		4 064 69	4/40
125		4 064 70	4/40
4-pole 400VAC			
20		4 064 77	3/30
32		4 064 79	3/30
40		4 064 80	3/30
63		4 064 81	3/30
100		4 064 89	3/30
125		4 064 90	3/30

RCBOs DX³ 6000

residual current breakers with overload protection, 6-63A



Conform to IEC 61009-1;

Breaking Capacity, 6000-IEC 61009-1;

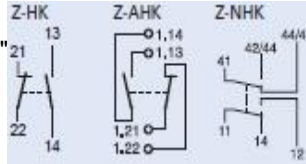
Enhanced immunity to unwanted tripping in disturbed environment

Modules	In, A	Sensitivity, mA	Category Number	Quantity/Pack
Single pole + N, 230VAC, AC Type				
16	10		4 109 93	1/60
6	30		4 109 99	1/60
10	30		4 110 00	1/60
16	30		4 110 02	1/60
20	30		4 110 03	1/60
25	30		4 110 04	1/60
32	30		4 110 05	1/60
40	30		4 110 06	1/60
6	300		4 110 21	1/60
10	300		4 110 22	1/60
16	300		4 110 24	1/60
20	300		4 110 25	1/60
25	300		4 110 26	1/60
32	300		4 110 27	1/60
40	300		4 110 28	1/60
Single pole + N, 230VAC, A Type				
16	10		4 110 41	1/60
6	30		4 110 47	1/60
10	30		4 110 48	1/60
16	30		4 110 50	1/60
20	30		4 110 51	1/60
25	30		4 110 52	1/60
32	30		4 110 53	1/60
40	30		4 110 54	1/60

Auxiliary Switch ZP-IHK, ZP-WHK, Tripping Signal Switch ZP-NHK

- Design according to IEC/EN 62019
- No screws required, can be snapped onto PL, PLS, PKNM subsequently
- ZP-IHK, ZP-WHK: can be snapped on additionally 1 time onto itself
- The specified minimum voltages are per contact, take into account particularly in case of series connection
- Contact material and design particularly suitable for extra low voltage, contact function with relative movement.
- ZP-NHK: The function of one of the two change-over contacts can be switched from "auxiliary switch" to "tripping signal switch"
- Tripping signal contact transmits message of electric tripping, not mechanical switch-off
- Test key for contact function "electrical tripping"
- ZP-NHK: The "service button" is used to check whether or not the auxiliary switch is correctly wired in tripping-signal-switch position, activating "service button" will mechanically simulate an electrical switch-off, so the mechanism for electrical switch-off will disengage and can be checked, the main switchgear (MCB, combined MCB/RCD or RCD...) connected to ZP-NHK auxiliary switch does not need to trip as well during an inspection through the service button.

Connection diagrams

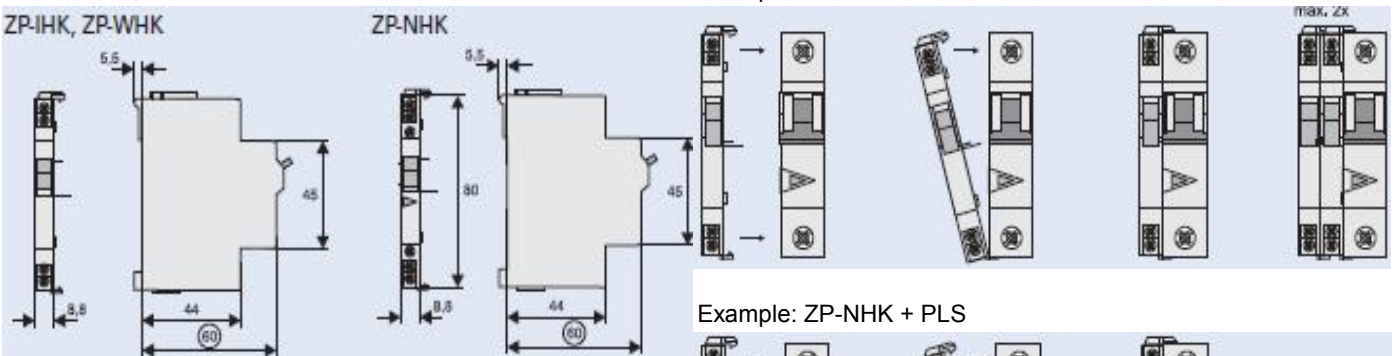


Technical Data

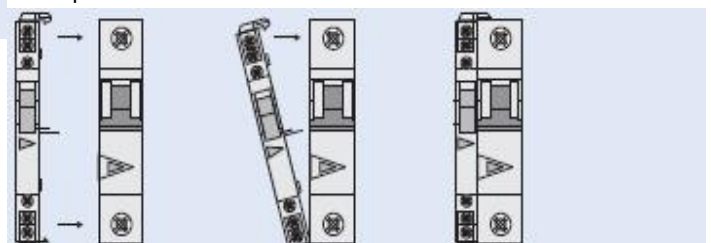
Auxiliary Switch, Tripping Signal Switch	ZP-IHK	ZP-WHK	ZP-NHK
Tripping indicator "electrical tripping"	-	-	blue/white
Frame size	45mm	45mm	45mm
Device height	80mm	80mm	80mm
Device width	8.8mm, 0.5MU	8.8mm, 0.5MU	8.8mm, 0.5MU
Degree of protection, built-in	IP40	IP40	IP40
Terminal protection	Finger and hand touch safe according to BGV A3		
Terminals	Lift terminals	Lift terminals	Lift terminals
Terminal capacity	0.5-2.5mm ²	0.5-2.5mm ²	0.5-2.5mm ²
Terminal screws	M4, Pozidrive Z2	M4, Pozidrive Z2	M4, Pozidrive Z0
Fastening torque of terminal screws	Maximum 1.2Nm	Maximum 1.2Nm	Maximum 1.2Nm
Can be mounted from the left onto	MCB	PL, PLS, PLZ	PL, PLS, PLZ
	RCD/MCB	PKNM	PKNM
	Accessories	ZP-A40, ZP-ASA, Z-MS	ZP-A40, ZP-ASA, Z-MS
Contact function	1NO + 1NC	1NC	2NO
Rated voltage	250V	250V	250V
Frequency	50/60Hz	50/60Hz	50/60Hz
Rated current	6A	6A	4A
Rated thermal current, I _{th}	6A	6A	4A
Rated operational current in category AC13, I _e	3A/250VAC	3A/250VAC	3A/250VAC
Rated operational current in category AC15, I _e	2A/250VAC	2A/250VAC	2A/250VAC
Rated operational current in category DC12, I _e	0.5A/110VDC	0.5A/110VDC	0.5A/110VDC
Rated insulation voltage, U _i	250VAC	250VAC	250VAC
Minimum operational voltage per contact, U _{min}	5VDC	5VDC	5VDC
Minimum operational current, I _{min}	10mA, DC	10mA, DC	10mA, DC
Rated peak withstand voltage, U _{imp}	2.5kV	2.5kV	2.5kV

Dimensions, mm

Example: ZP-IHK + PLS




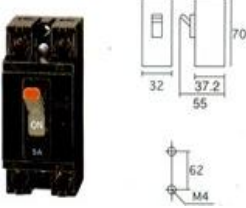


Example: ZP-NHK + PLS



Safety Breaker and Earth Leakage Breaker, HB and BJS Type


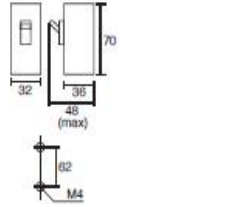


Complete range of products with a compact design.

Safety Breaker HB and S-HB Type

Dimensions, mm												
Appearance												
Mounting Pitch, mm	62						62					
Type	BS11106TV	BS1110TV	BS1111TV	BS1112TV	BS1113TV	BS2022TV	BS2023TV	BS220TV	BS230TV	BS2202TV	BS2302TV	
Poles & Elements	2P1E						2P2E					
Rated Current, In	6A	10A	15A	20A	30A	20A	30A	20A	30A	20A	30A	
Rated Voltage, Ue	AC240V, 1.0kA (6A), 1.5kA (10, 15, 20, 30A)						AC120/240V, 1.5kA					
Tripping Mechanism	Terminal Method Operation											
Arc Quenching Method	Natural Quenching											
Interrupting Time	10ms (100%)						5ms (50%)					
Passage of Short	$23 \times 10^3 \text{A}^2 \text{Sec}$ (100%)						$5.7 \times 10^3 \text{A}^2 \text{Sec}$ (25%)					
Weight	0.07kg						0.08kg					
Application	Air Conditioner, Water Pump, Water Heater											

1. Use 20A for normal current branch circuits, and 30A for high capacity dedicated circuits;
2. Use 15A or less for machine protection, after consideration of its characteristic: inrush current and usual currents;
3. The data in capacity mentioned above are just for your reference, which are Panasonic's experimental ones;

Earth Leakage Breaker BJS Type




Dimensions, mm												
Appearance												
Mounting Pitch, mm	62						62					
Type	BJS30208A2	BJS30308A2	BJS15125	BJS15225	BJS15325	BJS20125	BJS20225	BJS20325	BJS30125	BJS30225	BJS30325	
Poles & Elements	2P0E						2P2E					
Rated Current, In	30A						15A					
Rated Voltage, Ue	AC120-240V						AC100-240V					
Rated Operating Current	15mA	30mA	10mA	15mA	30mA	10mA	15mA	30mA	10mA	15mA	30mA	
Rated Non-operating Current	7.5mA	15mA	6mA	7.5mA	15mA	6mA	7.5mA	15mA	6mA	7.5mA	15mA	
Rated Short-time Current	1.5kA											
Phase & Wiring Configuration	1Ø2W						1Ø2W, 1Ø3W					
Operating Time	Within 0.1 Second											
Handle Type	Standard						-					
Connecting Method	For direct installation of electrical wiring											
Weight	0.1kg						0.09kg					
Overload Current Tripping Mechanism	None						Thermal Operation					
Application	Water Heater, Refrigerator, Fleezer											

1. Rated short-time current means that although short-circuit protection is not possible, the internal circuitry and conductors can withstand 1.5kA for 0.02 seconds;
2. Ambient temperature range for usage: -10°C to +50°C;
3. Disconnect electrical wiring before measuring insulation resistance between wires;

Safety Breakers BSB1

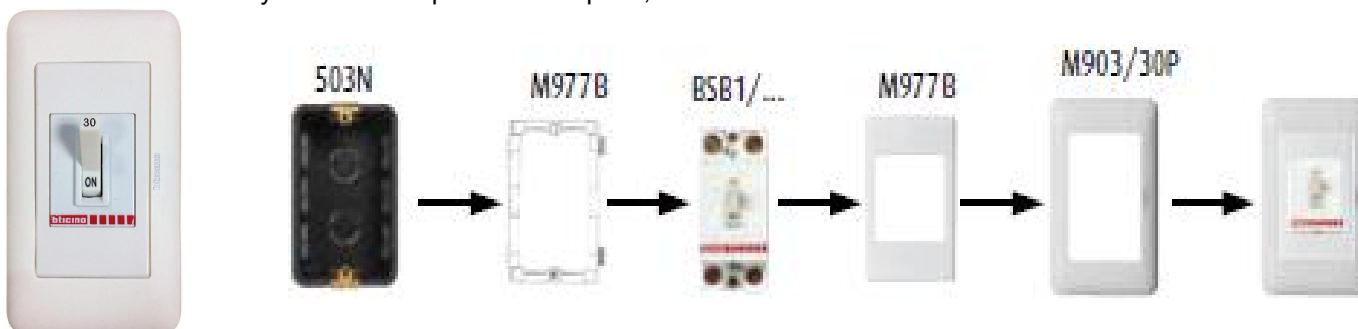
Safety breakers BSB1 are the ideal solution for protection of your appliances, they provide high reliability with aesthetic look, protect all kinds of home appliances against thermal overload with ratings from 10A to 30A. Available flush mounted safety breakers in Matix coverplates and Magic advance coverplates, and surface mounted safety breaker in plastic backbox.

Selection Table of BSB1 Safety Breakers

			Safety Breakers	BSB1/10	BSB1/15	BSB1/20	BSB1/30
			Poles and Elements	2P1E	2P1E	2P1E	2P1E
			Rated Current, In	10A	15A	20A	30A
			Rated Voltage, Ue	220VAC	220VAC	220VAC	220VAC
			Rated Short Circuit Current, Icu	1.5kA	1.5kA	1.5kA	1.5kA
			Weight	0.10kg	0.10kg	0.10kg	0.10kg

BSB1/10 BSB1/15 BSB1/30

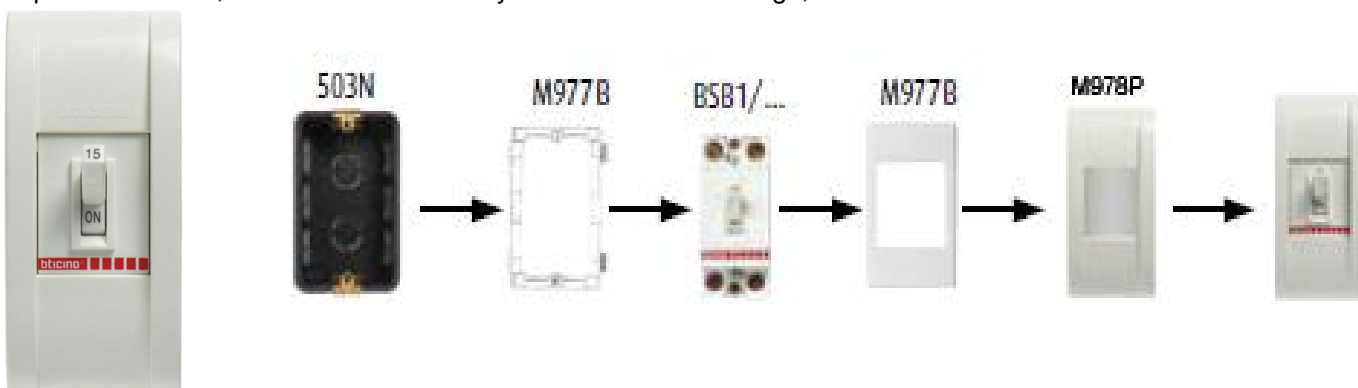
A flush-mounted safety breaker with plastic cover plate, M903/30P



A surface-mounted safety breaker with plastic cover plate



A plastic mini-box, surface-mounted safety breaker with new design, M978P



Disjoncteur Dismatic

New circuit breaker and switch combination for protection of air-conditioning systems.

Design engineers today are trying to systematically reduce individual components, this is a key factor of cost-efficient design.

Normally less components also means more space which is enabled by the design of compact products, in order to support Design Engineers in their search for parts reduction, E-T-A offers a combination of circuit breakers and switches, these are thermal circuit breakers providing overcurrent protection and serve as an On/Off switch for devices, machinery and equipment at the same time, E-T-A is the world market leader in circuit protection and offers a wide range of circuit breaker and switch combinations, it does not only include various designs and actuating methods, but also a wealth of color, marking and illumination options.

New: type 3130 with push button operation

The latest model in the circuit breaker/switch combination range of E-T-A is the single pole thermal circuit breaker type 3130 with push button operation, the design was initiated by our French customer Legrand who uses E-T-A's circuit breakers in installation frames of On/Off switches for air-conditioning systems, the 3130 provides overcurrent protection for the installation cables leading from the switch frame to the air-conditioning system, in the event of an overcurrent the E-T-A circuit breaker trips, goes into Off position and reliably disconnects the air-conditioning system and its cables from the supply network. Another feature of type 3130 with push button operation is a new option for electrical connection: it can be ordered with 45° angled screw terminals with M4 screws and clamping piece, this makes the 3130 a valuable and highly suitable component for installation technology.



The new installation frame "Dismatic" made by Legrand

A Choice of applications






E-T-A circuit breaker and switch combinations are suited for a wide range of applications due to their robust and reliable design, including medical equipments, professional tools, household appliances and gardening tools, for example in France, E-T-A products are used by manufacturers of floor sanding machines and concrete vibrators, another application field is sailing yachts where the E-T-A circuit breakers are installed in central dashboards, they serve for switching on and off of all loads on board such as bilge pump the anchor light of interior lights, at the same time they protect cables and loads against possible damages caused by overheating in the event of overcurrents.



New E-T-A circuit breaker version type 3130 with two push buttons







Diruptor Range 7000

Technical Data

Range	7000																
Mounting	0 Plug-in 9 Plug in base for Print Circuit				1 Flush Mounting 2 Screws on Front Face			2 Flush Mounting Threaded Collar on Front Face				3 Snap on DIN Rail Asymetrical Symetrical				5 Push-push	
																	
Number of Poles	1	2	3	4	1	2	3	1	2	3	4	1	2	3	4	1	
Standard Connections	0 707 9 409				101-104-204-409			101-104-204				402-413				101-104-409	
	909				463-514(2)-909			409-463-514(2)									
Rated Voltages	230/400VAC, 72VDC																
Release Characteristics																	
Thermal	0.04	0.04	0.04	0.04	0.04	0.04	0.04	0.04	0.04	0.04	0.04	0.04	0.04	0.04	0.04	0.04	
Rated Current, A	20	20	20	20	40	32	32	40	32	32	32	40	32	32	32	40	
Thermal-magnetic	0.10	0.10	0.10	0.10	0.10	0.10	0.10	0.10	0.10	0.10	0.10	0.10	0.10	0.10	0.10	0.10	
Rated Current, A	20	20	20	20	40	32	32	40	32	32	32	40	32	32	32	40	
Magnetic Only (1)	14A eff. 20A, AC Maxi																
Rated Current, A (1)																	
Mixed Poles	-	■	■	■	-	■	■	-	■	■	■	-	■	■	■	-	
Special Characteristics	■	■	■	■	■	■	■	■	■	■	■	■	■	■	■	■	
Number of Electrical Cycles	8000				8000			8000				8000				8000	
Breaking Capacity	Up to 1500A, AC/1500A, DC48V(56V)/800A, DC72V(90V)																
Tropicalization	■	■	■	■	■	■	■	■	■	■	■	■	■	■	■	■	
Compensation	■	■	■	■	■	■	■	■	■	■	■	■	■	■	■	■	
Adjustment at 60°C	■	■	■	■	■	■	■	■	■	■	■	■	■	■	■	■	
Special Contacts, thermal on	■	■	■	■	■	■	■	■	■	■	■	■	■	■	■	■	
Special Adjustment for Magnetic Release	■	■	■	■	■	■	■	■	■	■	■	■	■	■	■	■	
Outside Control of Release	On Request																
Auxiliary Contacts																	
Normally Open	■	■	■	■	■	■	■	■	■	■	■	■	■	■	■	■	
Normally Closed	■	■	■	■	■	■	■	■	■	■	■	■	■	■	■	■	
Changeover	■	■	■	■	■	■	■	■	■	■	■	■	■	■	■	■	
Marking	■	■	■	■	■	■	■	■	■	■	■	■	■	■	■	■	
Raised Base	■	■	■	■	-	-	-	-	-	-	-	-	-	-	-	-	
Base for Print Circuit	■	■	■	■	-	-	-	■	■	■	■	-	-	-	-	■	
Base for Rail DIN	■	■	■	■	-	-	-	■	■	■	■	-	-	-	-	-	
Waterproof Cap	■	■	■	■	■	■	■	■	■	■	■	■	■	■	■	■	

Diruptor Range Option HP and 7500

Technical Data

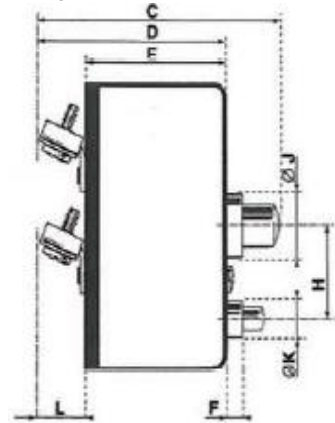
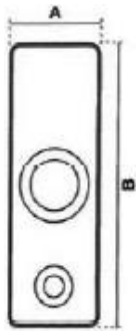
Range	Option HP				7500			
Mounting	0 Plug-in 9 Plug in base for Print Circuit	1 Flush Mounting 2 Screws on Front Face	2 Flush Mounting Threaded Collar on Front Face	3 Snap on DIN Rail Asymetrical Symetrical	7	1 Flush Mounting 1 Screw on Front Face	3 Asymetrical	7 Symetrical
								
Number of Poles	1 2 3 4	1 2 3	1 2 3 4	1 2 3 4	1 2 3 4	1		
Standard Connections	0 707 9 409 909	101-104-463-514	101-104-409-514	402-413	502-504			
Rated Voltages	230/400VAC,30VDC							
Release Characteristics								
Thermal	- - - -	- - -				2		
Rated Current, A						100		
Thermal-magnetic	2 2 2 2	2 2 2	2 2 2 2	2 2 2 2	2 2 2 2	2		
Rated Current, A	20 20 20 20	40 32 32	40 32 32 32	40 32 32 32	40 32 32 32	70		
Magnetic Only (1)	-	-	-	-	-	-		
Rated Current, A (1)								
Mixed Poles	- ■ ■ ■	- ■ ■	- ■ ■ ■	- ■ ■ ■	- ■ ■ ■	-		
Special Characteristics	■ ■ ■ ■	■ ■ ■	■ ■ ■ ■	■ ■ ■ ■	■ ■ ■ ■	■		
Number of Electrical Cycles	8000	8000	8000	8000	8000	8000		
Breaking Capacity	6kA, AC							
Tropicalization	■ ■ ■ ■	■ ■ ■	■ ■ ■ ■	■ ■ ■ ■	■ ■ ■ ■	■		
Compensation	- - - -	- - - -	- - - -	- - - -	- - - -	-		
Adjustment at 60°C	■ ■ ■ ■	■ ■ ■	■ ■ ■ ■	■ ■ ■ ■	■ ■ ■ ■	■		
Special Contacts, thermal only	- - - -	- - - -	- - - -	- - - -	- - - -	-		
Special Adjustment for Magnetic Release	■ ■ ■ ■	■ ■ ■	■ ■ ■ ■	■ ■ ■ ■	■ ■ ■ ■	■		
Outside Control of Release	On Request							
Auxiliary Contacts								
Normally Open	- - - -	- - - -	- - - -	- - - -	- - - -	-		
Normally Closed	- - - -	- - - -	- - - -	- - - -	- - - -	-		
Changeover	- - - -	- - - -	- - - -	- - - -	- - - -	■		
Marking	■ ■ ■ ■	■ ■ ■	■ ■ ■ ■	■ ■ ■ ■	■ ■ ■ ■	■		
Raised Base	■ ■ ■ ■	- - - -	- - - -	- - - -	- - - -	-		
Base for Print Circuit	■ ■ ■ ■	- - - -	- - - -	- - - -	- - - -	-		
Base for Rail DIN	■ - - -	- - - -	- - - -	- - - -	- - - -	-		
Waterproof Cap	■ ■ ■ ■	■ ■ ■	■ ■ ■ ■	■ ■ ■ ■	■ ■ ■ ■	-		

Diruptor Range 7000, Option HP and 7500

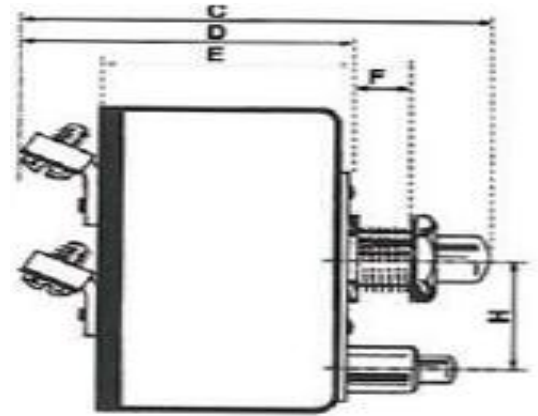
Dimensions of Diruptor

1
Screw Fixing
Range 7000: 2 screws 3.5x5
Range 7500: 1 screw 5x5

Front View



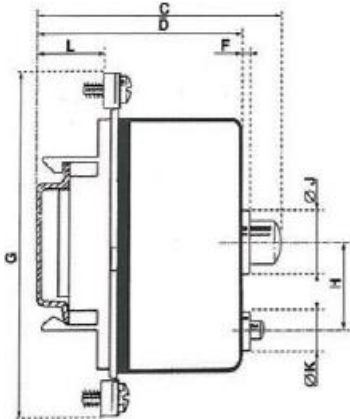
2
Threaded Collar M12



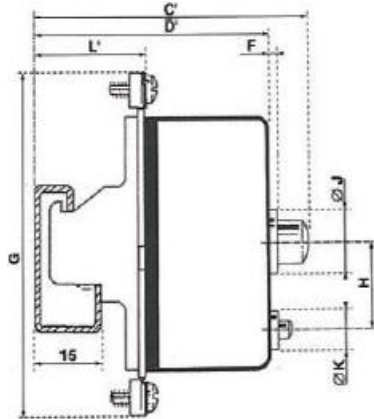
	A	B	C	D	E	F	H	J	K	L
1P	18	56	50	40	31	2.5	20	14	8	9.5
2P	39	57	58	48	37	4	20	14	8	11
3P	60	57	58	48	37	4	20	14	8	11
4P	28	86	78	62	-	5	28	19	11	16

	A	B	C	D	E	F	H
1P	18	56	58	43	33	5.5	20
2P	39	57	65	51	40	5.5	20
3P	60	57	65	51	40	5.5	20
4P	80	58	69	54	43	5.5	20

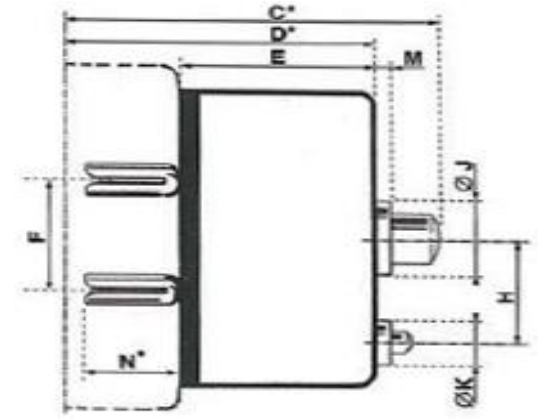
7
Symetrical Rail 35mm
Snap on DIN Rail



3
Asymetrical Rail 32mm



Plug In
0 Pins Ø7mm
9 Fast Connections 6.35x0.8



	A	B	C	D	E	F	H	J	K	L	C*	D*	L*
1P	18	56	58	49	2.5	77	20	14	8	20	65	56	26
2P	39	57	66	56	4	77	20	14	8	20	73	62	26
3P	60	57	66	56	4	77	20	14	8	20	73	63	26
4P	80	58	69	59	4	77	20	14	8	20	76	66	26
7500	28	86	-	-	5	118	28	19	11	-	89	72	26

	A	B	C*	D*	E	F	H	J	K	M	N*
1P	18.4	56.0	58.5	49.0	30.5	20	20	14	8	2.5	15
2P	39.0	56.5	66.0	55.5	36.5	20	20	14	8	4	15
3P	59.5	56.5	66.0	55.5	36.5	20	20	14	8	4	15
4P	79.5	57.5	69.5	59.5	40.5	20	20	14	8	4	15

Standard Connections

